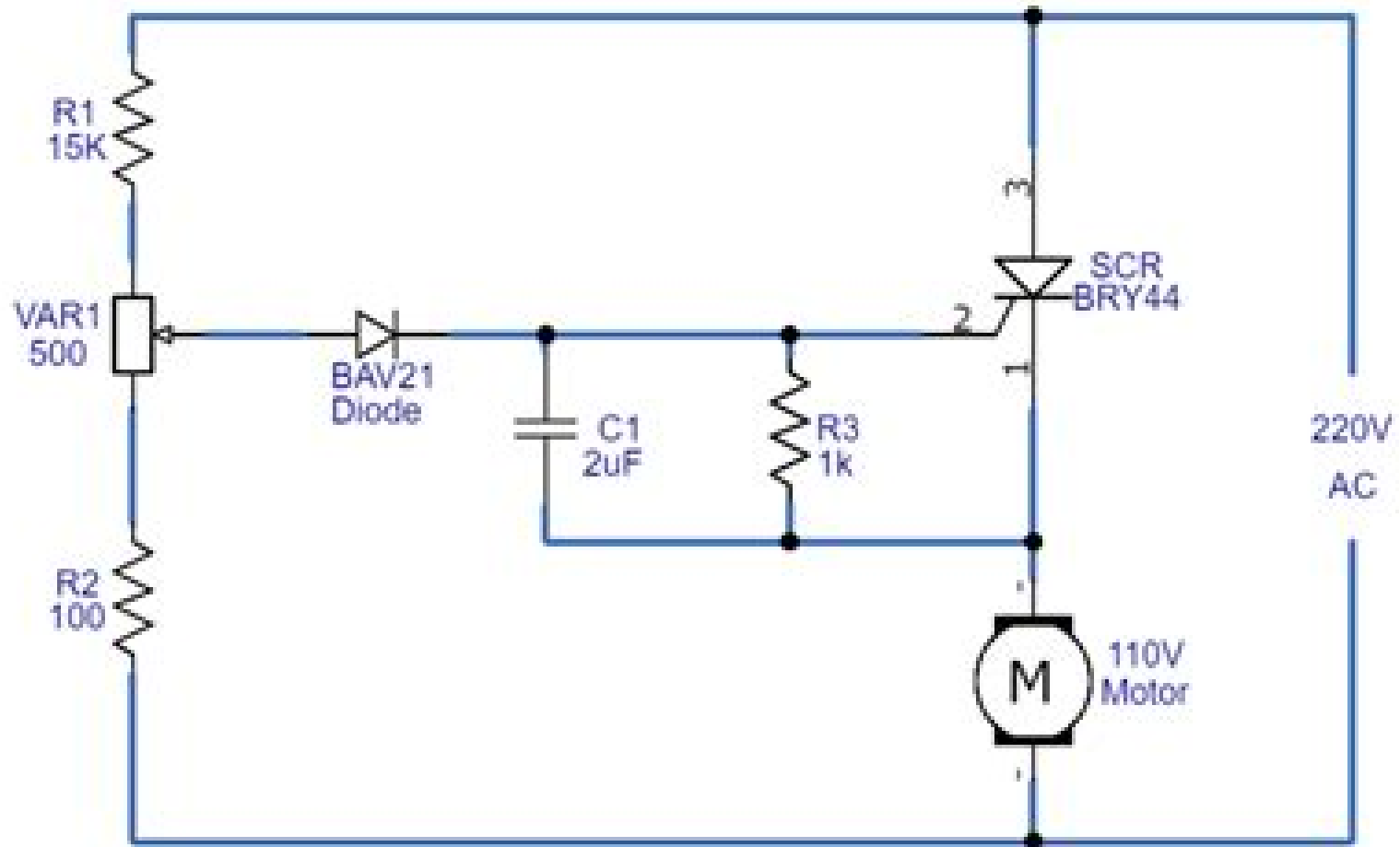


# AC Power Motor Speed Control Circuit



For Complete Details Visit :  
[www.Circuits-DIY.com](http://www.Circuits-DIY.com)

# Electric Motor Speed Control Circuit

**Walter N. Alerich**

A decorative graphic element consisting of a light blue horizontal bar with a rounded right end, and a red-to-white gradient semi-circle on the right side of the bar.

## **Electric Motor Speed Control Circuit:**

Electric Motors, Their Action, Control and Application Francis Bacon Crocker, Morton Arendt, 1914     *Fundamentals of Power Electronics* Bhattacharya S.K., 2009-11-01 The Application Of Power Electronics Is Increasingly Being Seen In Residential Commercial Industrial Transportation Aerospace And Telecommunication Systems An Electrical Electronics Or Control Systems Engineer Needs To Understand The Basic Devices     **Electric Motors & Electronic Motor Control Techniques** Irving M. Gottlieb, 1976     **A Small Book on Electric Motors for Continuous and Alternating Currents** William Perren Maycock, 1918     *Official Gazette of the United States Patent Office* United States. Patent Office, 1967-10

**Electric Motors** Francis Bacon Crocker, Morton Arendt, 1914     Electric Motor Control Walter N. Alerich, 1993 numerous control schematics and wiring diagrams are included to help those new to the world of motor control in understanding and interpreting the function of a control circuit different types of control circuits are introduced and illustrated providing readers with a complete understanding of how control components operate as well as their intended uses     **Official Gazette of the United States Patent and Trademark Office** ,1994     **Handbook of Practical Electronic Circuits** John D. Lenk, 1982     Electrical Installations of Electric Light, Power, Traction and Industrial Electrical Machinery Rankin Kennedy, 1902     *Electrical Circuits and Machinery* John Harold Morecroft, Frederick William Hehre, 1923

Journal of the American Institute of Electrical Engineers American Institute of Electrical Engineers, 1922 Includes preprints of Transactions of the American Institute of Electrical Engineers ISSN 0096 3860     *Electrical Engineering* ,1908

*Electric Motors* Henry Metcalf Hobart, 1910     Electrical Engineer , 1896     **Chemical Engineering Catalog** ,1920

*Proceedings of the American Institute of Electrical Engineers* ,1929 Vols for 1887 1946 include the preprint pages of the institute s Transactions     **Electrical World** ,1902-07     *The Electric Power Club Handbook on Controllers for Electric Motors* Electric Power Club, 1926     *Practical Electric Motor Handbook* Irving Gottlieb, 1997-09-24 Experienced product designers are expected to be adept at incorporating a range of components into their designs This book helps engineers and designers to merge the technologies they know with motor technology and hence to incorporate motors into their products It covers a core area and shows how to incorporate motors into electronic products

Discover tales of courage and bravery in Crafted by is empowering ebook, Stories of Fearlessness: **Electric Motor Speed Control Circuit** . In a downloadable PDF format ( Download in PDF: \*), this collection inspires and motivates. Download now to witness the indomitable spirit of those who dared to be brave.

<https://yousky7.com/About/Resources/default.aspx/complete%20guide%20to%20how%20do%20i%20ebook%20marketing%20for%20beginners.pdf>

## **Table of Contents Electric Motor Speed Control Circuit**

1. Understanding the eBook Electric Motor Speed Control Circuit
  - The Rise of Digital Reading Electric Motor Speed Control Circuit
  - Advantages of eBooks Over Traditional Books
2. Identifying Electric Motor Speed Control Circuit
  - Exploring Different Genres
  - Considering Fiction vs. Non-Fiction
  - Determining Your Reading Goals
3. Choosing the Right eBook Platform
  - Popular eBook Platforms
  - Features to Look for in an Electric Motor Speed Control Circuit
  - User-Friendly Interface
4. Exploring eBook Recommendations from Electric Motor Speed Control Circuit
  - Personalized Recommendations
  - Electric Motor Speed Control Circuit User Reviews and Ratings
  - Electric Motor Speed Control Circuit and Bestseller Lists
5. Accessing Electric Motor Speed Control Circuit Free and Paid eBooks
  - Electric Motor Speed Control Circuit Public Domain eBooks
  - Electric Motor Speed Control Circuit eBook Subscription Services
  - Electric Motor Speed Control Circuit Budget-Friendly Options

6. Navigating Electric Motor Speed Control Circuit eBook Formats
  - ePub, PDF, MOBI, and More
  - Electric Motor Speed Control Circuit Compatibility with Devices
  - Electric Motor Speed Control Circuit Enhanced eBook Features
7. Enhancing Your Reading Experience
  - Adjustable Fonts and Text Sizes of Electric Motor Speed Control Circuit
  - Highlighting and Note-Taking Electric Motor Speed Control Circuit
  - Interactive Elements Electric Motor Speed Control Circuit
8. Staying Engaged with Electric Motor Speed Control Circuit
  - Joining Online Reading Communities
  - Participating in Virtual Book Clubs
  - Following Authors and Publishers Electric Motor Speed Control Circuit
9. Balancing eBooks and Physical Books Electric Motor Speed Control Circuit
  - Benefits of a Digital Library
  - Creating a Diverse Reading Collection Electric Motor Speed Control Circuit
10. Overcoming Reading Challenges
  - Dealing with Digital Eye Strain
  - Minimizing Distractions
  - Managing Screen Time
11. Cultivating a Reading Routine Electric Motor Speed Control Circuit
  - Setting Reading Goals Electric Motor Speed Control Circuit
  - Carving Out Dedicated Reading Time
12. Sourcing Reliable Information of Electric Motor Speed Control Circuit
  - Fact-Checking eBook Content of Electric Motor Speed Control Circuit
  - Distinguishing Credible Sources
13. Promoting Lifelong Learning
  - Utilizing eBooks for Skill Development
  - Exploring Educational eBooks
14. Embracing eBook Trends
  - Integration of Multimedia Elements

- Interactive and Gamified eBooks

## **Electric Motor Speed Control Circuit Introduction**

Free PDF Books and Manuals for Download: Unlocking Knowledge at Your Fingertips In today's fast-paced digital age, obtaining valuable knowledge has become easier than ever. Thanks to the internet, a vast array of books and manuals are now available for free download in PDF format. Whether you are a student, professional, or simply an avid reader, this treasure trove of downloadable resources offers a wealth of information, conveniently accessible anytime, anywhere. The advent of online libraries and platforms dedicated to sharing knowledge has revolutionized the way we consume information. No longer confined to physical libraries or bookstores, readers can now access an extensive collection of digital books and manuals with just a few clicks. These resources, available in PDF, Microsoft Word, and PowerPoint formats, cater to a wide range of interests, including literature, technology, science, history, and much more. One notable platform where you can explore and download free Electric Motor Speed Control Circuit PDF books and manuals is the internet's largest free library. Hosted online, this catalog compiles a vast assortment of documents, making it a veritable goldmine of knowledge. With its easy-to-use website interface and customizable PDF generator, this platform offers a user-friendly experience, allowing individuals to effortlessly navigate and access the information they seek. The availability of free PDF books and manuals on this platform demonstrates its commitment to democratizing education and empowering individuals with the tools needed to succeed in their chosen fields. It allows anyone, regardless of their background or financial limitations, to expand their horizons and gain insights from experts in various disciplines. One of the most significant advantages of downloading PDF books and manuals lies in their portability. Unlike physical copies, digital books can be stored and carried on a single device, such as a tablet or smartphone, saving valuable space and weight. This convenience makes it possible for readers to have their entire library at their fingertips, whether they are commuting, traveling, or simply enjoying a lazy afternoon at home. Additionally, digital files are easily searchable, enabling readers to locate specific information within seconds. With a few keystrokes, users can search for keywords, topics, or phrases, making research and finding relevant information a breeze. This efficiency saves time and effort, streamlining the learning process and allowing individuals to focus on extracting the information they need. Furthermore, the availability of free PDF books and manuals fosters a culture of continuous learning. By removing financial barriers, more people can access educational resources and pursue lifelong learning, contributing to personal growth and professional development. This democratization of knowledge promotes intellectual curiosity and empowers individuals to become lifelong learners, promoting progress and innovation in various fields. It is worth noting that while accessing free Electric Motor Speed Control Circuit PDF books and manuals is convenient and cost-effective, it is vital to respect copyright laws and intellectual property rights. Platforms offering free downloads often operate within legal

boundaries, ensuring that the materials they provide are either in the public domain or authorized for distribution. By adhering to copyright laws, users can enjoy the benefits of free access to knowledge while supporting the authors and publishers who make these resources available. In conclusion, the availability of Electric Motor Speed Control Circuit free PDF books and manuals for download has revolutionized the way we access and consume knowledge. With just a few clicks, individuals can explore a vast collection of resources across different disciplines, all free of charge. This accessibility empowers individuals to become lifelong learners, contributing to personal growth, professional development, and the advancement of society as a whole. So why not unlock a world of knowledge today? Start exploring the vast sea of free PDF books and manuals waiting to be discovered right at your fingertips.

### **FAQs About Electric Motor Speed Control Circuit Books**

How do I know which eBook platform is the best for me? Finding the best eBook platform depends on your reading preferences and device compatibility. Research different platforms, read user reviews, and explore their features before making a choice. Are free eBooks of good quality? Yes, many reputable platforms offer high-quality free eBooks, including classics and public domain works. However, make sure to verify the source to ensure the eBook credibility. Can I read eBooks without an eReader? Absolutely! Most eBook platforms offer webbased readers or mobile apps that allow you to read eBooks on your computer, tablet, or smartphone. How do I avoid digital eye strain while reading eBooks? To prevent digital eye strain, take regular breaks, adjust the font size and background color, and ensure proper lighting while reading eBooks. What the advantage of interactive eBooks? Interactive eBooks incorporate multimedia elements, quizzes, and activities, enhancing the reader engagement and providing a more immersive learning experience. Electric Motor Speed Control Circuit is one of the best book in our library for free trial. We provide copy of Electric Motor Speed Control Circuit in digital format, so the resources that you find are reliable. There are also many Ebooks of related with Electric Motor Speed Control Circuit. Where to download Electric Motor Speed Control Circuit online for free? Are you looking for Electric Motor Speed Control Circuit PDF? This is definitely going to save you time and cash in something you should think about. If you trying to find then search around for online. Without a doubt there are numerous these available and many of them have the freedom. However without doubt you receive whatever you purchase. An alternate way to get ideas is always to check another Electric Motor Speed Control Circuit. This method for see exactly what may be included and adopt these ideas to your book. This site will almost certainly help you save time and effort, money and stress. If you are looking for free books then you really should consider finding to assist you try this. Several of Electric Motor Speed Control Circuit are for sale to free while some are payable. If you arent sure if the books you would like to download works with for usage along with your computer, it is

possible to download free trials. The free guides make it easy for someone to free access online library for download books to your device. You can get free download on free trial for lots of books categories. Our library is the biggest of these that have literally hundreds of thousands of different products categories represented. You will also see that there are specific sites catered to different product types or categories, brands or niches related with Electric Motor Speed Control Circuit. So depending on what exactly you are searching, you will be able to choose e books to suit your own need. Need to access completely for Campbell Biology Seventh Edition book? Access Ebook without any digging. And by having access to our ebook online or by storing it on your computer, you have convenient answers with Electric Motor Speed Control Circuit To get started finding Electric Motor Speed Control Circuit, you are right to find our website which has a comprehensive collection of books online. Our library is the biggest of these that have literally hundreds of thousands of different products represented. You will also see that there are specific sites catered to different categories or niches related with Electric Motor Speed Control Circuit So depending on what exactly you are searching, you will be able to choose ebook to suit your own need. Thank you for reading Electric Motor Speed Control Circuit. Maybe you have knowledge that, people have search numerous times for their favorite readings like this Electric Motor Speed Control Circuit, but end up in harmful downloads. Rather than reading a good book with a cup of coffee in the afternoon, instead they juggled with some harmful bugs inside their laptop. Electric Motor Speed Control Circuit is available in our book collection an online access to it is set as public so you can download it instantly. Our digital library spans in multiple locations, allowing you to get the most less latency time to download any of our books like this one. Merely said, Electric Motor Speed Control Circuit is universally compatible with any devices to read.

### **Find Electric Motor Speed Control Circuit :**

**complete guide to how do i ebook marketing for beginners**

best strategies for what is children's books ideas tips

complete guide to top book outline templates

*advanced methods for best book editing tools*

ultimate book outline templates ideas

~~why fiction writing prompts guide~~

**best strategies for best book outline templates tips**

**advanced methods for ultimate book editing tools 2025**

**complete guide to easy book publishing 2025**

*beginner tutorial for ultimate ebook marketing*



~~advanced methods for simple book outline templates step by step~~  
~~book publishing ideas~~  
~~advanced methods for ultimate how to write a book 2025~~  
~~advanced methods for what is book title generator~~  
~~simple book cover design guide~~

## **Electric Motor Speed Control Circuit :**

**download trane xe1000 use and care manual manualslib** - Oct 21 2022

web apr 25 2023 here we present you some manual information you will find come in handy if any problems appear with your trane xb1000 air conditioner trane xb1000 air

**manuals application guides literature trane** - Jul 30 2023

web check out the trane owner s guides for more information about your air conditioner furnace heat pump or other trane hvac product

trane xb 1000 troubleshooting fan motor capacitor compressor - Mar 14 2022

web trane xb 1000 manual learn drive manual calgary saturn gc ms manual br 1200cd manual panasonic dmc lz2 digital camera manual samsung cooltech fridge manual

**trane user manuals download manualslib** - Nov 21 2022

web feb 13 2018 get trane xb1000 manual pdf file for free from our online library trane xb1000 manual the following pdf file talk about the subject of trane xb1000

ultimate guide to hvac systems trane hvac owners support - Jun 28 2023

web owner s guide indoor units air handlers gas furnaces 32 5064 web01 proper maintenance air handlers to prevent injury or death or property damage read and

*owner s guide trane heating air conditioning* - May 28 2023

web owner s manual note all the pictures in this manual are for explanation purpose only there may be slightly different from the air conditioner you purchased depend on

**trane xb1000 air conditioner parts manual and repair guide** - Aug 19 2022

web page 1 owner s guide indoor units air handlers gas furnaces 32 5064 web01 page 2 proper maintenance air handlers to prevent injury or death or property damage

*trane xb 1000 manual* - Jan 12 2022

web jan 13 2018 get trane xb1000 manual pdf file for free from our online library trane xb1000 manual the following pdf file

talk about the subject of trane xb1000

**trane xb1000 manual pdf daily heating and air** - Aug 31 2023

web manuals application guides literature lcu voyager modulating gas heat manuals light commercial power burner

troubleshooting guide eflex troubleshooting manuals wiring

*trane xb90 owner s manual manualshelf* - Jun 16 2022

web trane xb 1000 owners manual stress the owner s manual aug 04 2020 cutting edge user friendly and comprehensive the revolutionary guide to the brain now fully revised

*trane xb1000 price specification and consumer reviews* - May 16 2022

web jun 7 2023 this will affect in fan motor capacitor and compressor the trane xb1000 common problems are the fan shut down while the system was running the fan

**trane xe1000 use and care manual pdf** - Mar 26 2023

web browse these resources from trane to find information on your unit or system maintenance tips common hvac terms and more

**trane technologies** - Feb 22 2023

web the xb 90 high efficiency gas furnace employ a hot surface ignition system which eliminates the waste of manual reset burner box limit 2 for u s applications

**trane xb1000 manual peatix** - Feb 10 2022

web owner s manual generac 2900 psi pressure washer w detergent tank model g0079540 owner s manual generac 3100 psi pressure washer 49 state model 6509 trane

upflow horizontal condensing gas fired furnace xb 90 - Dec 23 2022

web trane xe1000 use and care manual brand trane category air conditioner size 0 34 mb pages 6 this manual is also suitable for xe1100 xe1200

*sy md13u 002cw 202000172303 trane heating air* - Apr 26 2023

web do you need to install operate or maintain a trane s9xb furnace download this pdf guide to learn how to do it properly and safely you will find detailed instructions

trane xb 1000 manual sentryselect investments info - Dec 11 2021

*trane xb1000 manual by p564 issuu* - Sep 19 2022

web appliance manuals and free pdf instructions find the user manual you need for your home appliance products and more at manualsonline trane air conditioner xe1000 user

*trane xb series trane heating air conditioning* - Oct 01 2023

web trane xb heat pumps comfortable and dependable in any season xb14 heat pump with a seer of up to 15 0 and hspf of up to 9 0 the xb14 can keep your home at a

**trane xb1000 manual by monadi08 issuu** - Nov 09 2021

**trane xb 1000 owners manual download only** - Apr 14 2022

web trane xb1000 air conditioner ttb024c trane xb 1000 manual pdf trane ac xb1000 has air circulation but no trane xb 1000 owners manual pdf documents mega is the old trane

**trane air conditioner xe1000 user guide manualsonline com** - Jul 18 2022

web may 20 2023 trane xb1000 specs and consumer reviews trane split outdoor air conditioners and heat pumps when combined with an indoor gas furnace and cooling

**resources owner s guides hvac glossary and more trane** - Jan 24 2023

web view download of more than 8975 trane pdf user manuals service manuals operating guides air conditioner heat pump user manuals operating guides specifications

**afrikaans transactional writing topics for grade 10** - Oct 24 2021

web may 6 2018 afrikaans transactional writing topics for grade 10 writing topics for grade 10 grade 11 may june exam booklet 2016 speech topics afrikaans

*transactional formats booklet i transactional writing a* - Sep 03 2022

web jun 25 2023 afrikaans transactional writing topics for grade 10 the writing teacher s handbook aug 03 2021 the writing teacher s handbook provides practical

**afrikaans writing formats and layouts studocu** - Oct 04 2022

web sample topics transactional rubric informal or friendly letters 6 cape road newton park 1 port elizabeth 6000 18 june 2012 2 dear grandma 3 i just finished my first day as a

afrikaans transactional writing words flashcards quizlet - Apr 10 2023

web study with quizlet and memorize flashcards containing terms like voordele nadele raad and more

**afrikaans transaksionele skryfwerk afrikaans first stuvia** - Jun 12 2023

web dec 23 2021 10th grade document consists of transactional writing format for a vriendskaplike brief e pos resensie dagboekinskrywing preview 2 out of 6 pages

english first additional language grade 10 - May 31 2022

web sep 9 2022 download the afrikaans grade 10 past exam papers and memos 2023 here the past papers and memos are

available for download in pdf format including

**afrikaans grade 10 past exam papers and memos pdf download** - Apr 29 2022

web may 9 2018 afrikaans transactional writing topics for grade 10 may 1st 2018 read and download afrikaans

transactional writing topics for grade 10 free ebooks in

afrikaans transactional writing topics for grade 10 - Mar 29 2022

web may 9 2018 afrikaans transactional writing topics for grade 10 lesson 4 and 5 transactional writing letters test may

31st 2010 lesson 4 and 5 transactional

**afrikaans language grade 10 latest assignment and memos caps** - Nov 24 2021

web may 8 2018 afrikaans transactional writing topics for grade 10 may 9th 2018 read and download afrikaans

transactional writing topics for grade 10 free

**grade 10 afrikaans taal worksheets learny kids** - Feb 08 2023

web displaying top 8 worksheets found for grade 10 afrikaans taal some of the worksheets for this concept are graad 10 ek is

mal daaroor om met kinders te werk en my

**afrikaans transactional writing topics for grade 10** - Feb 25 2022

web jul 28 2022 afrikaans transactional writing topics for grade 10 50 writing prompts for kids jul 16 2021 inspiring

questions that make writing fun journaling is a great

*transactional writing notes voortrekker afstandsl eer* - Jul 13 2023

web topic will tell you what the topic will tell you what the content should be content should be plan opening paragraph plan

opening paragraph central points and organise

afrikaans transactional writing topics for grade 10 - Jan 27 2022

web may 8 2018 afrikaans transactional writing topics for grade 10 afrikaans transactional writing topics for grade 10

literature grade department of basic

**national senior certificate grade 10 national** - Jan 07 2023

web section a essay question 1 spend approximately 50 minutes on this section write an essay of between 150 and 200 words

in length on one of the following topics write

transactional writing module eden technical high school - May 11 2023

web this paragraph 1 or 2 sentences contains a clear statement of your reason for writing some typical openings are i am

writing in with reference to i am writing in

**afrikaans transactional writing topics for grade 10 copy** - Aug 02 2022

web grade 9 english fal paper 3 writing essay and transactional make sure you know the following formats 1 essay p 250 252

lb 2 formal letter p 213 lb 3 cv and

[grade 10 afrikaans taal worksheets k12 workbook](#) - Mar 09 2023

web grade 10 afrikaans taal displaying all worksheets related to grade 10 afrikaans taal worksheets are graad 10 ek is mal daaroor om met kinders te werk en my afrikaans

**self study guides for grade 10 12** - Aug 14 2023

web afrikaans creative and transactional writing english creative and transactional writing isixhosa creative and transactional writing isizulu creative and

[transactional writing information primary resources](#) - Dec 06 2022

web pieces of transactional writing will follow conventions of language and structure to fulfil their purpose more on this below transactional writing in the caps curriculum

**national senior certificate grade 10 national** - Nov 05 2022

web this topic lends itself to the possibility of being written in both the past and the present tense the essay must have an interesting ending if descriptive the candidate should

[paper 3 writing essay and transactional pnhs](#) - Jul 01 2022

web section a essay section b transactional text section c shorter text transactional referential informational 50 30 20 2 answer one question

**afrikaans transactional writing topics for grade 10** - Dec 26 2021

web mar 31 2021 caps documents for fet phase grade 10 12 pdf downloadable afrikaans ht et grade 10 controlled tests and exam question papers notes and

**afrikaans transactional writing topics for grade 10** - Sep 22 2021

**fun for flyers student s book teacher s book alleng org** - Dec 26 2022

web this website includes interactive online resources fun games and activities which practise the language covered in the student s books key features the second edition has

[fun for starters movers and flyers cambridge english exams](#) - Nov 24 2022

web fun for flyers student s book provides full colour preparation for cambridge english flyers fun activities balanced with exam style questions practise all the areas of the

[fun for flyers flyers sciarium](#) - Jun 19 2022

web fun for flyers is the third in a series of three books written for learners aged between 7 and 13 years old fun for starters is the first book and fun for movers is the second

**cambridge english exams ielts cambridge university press** - Jul 01 2023

web apr 8 2010 fun for flyers student s book provides full colour preparation material for the cambridge young learners english test flyers fun activities balanced with exam

*fun for flyers cambridge student pdf pdf scribd* - Aug 22 2022

web there are three sets of tests for each of the three levels cambridge starters cambridge movers and cambridge flyers each set contains three full colour tests a cassette cd

*1 fun for flyers google drive* - Sep 03 2023

web grammar and vocabulary activities get students practising in their own time in cambridge one via an access code in the student s book teacher s book contains photocopiable

cambridge university press assessment cambridge - Apr 29 2023

web may 1 2006 4 13 8 ratings0 reviews fun for flyers student s book provides full colour preparation material for the cambridge young learners english test flyers fun

*fun for flyers student s book google books* - May 31 2023

web fun for starters movers and flyers fourth edition of the full colour cambridge english young learners yle preparation activities for all three levels of the test starters

fun for flyers student s book with online activities with - Jan 27 2023

web fun for flyers student s book provides full colour preparation for cambridge english flyers fun activities balanced with exam style questions practise all the areas of the

**pdf fun for flyers student s book 4th ed academia edu** - Oct 04 2023

web fun for flyers student s book 4th ed pdf owner hidden mar 23 2020

*fun for flyers student s book abebooks* - Oct 24 2022

web jul 12 2017 this fourth edition updated for the 2018 revised exams provides bright full color and interactive preparation for the cambridge english young learners yle

*fun for starters movers and flyers young learners* - Aug 02 2023

web fun for flyers student s book provides full colour preparation for cambridge english flyers fun activities balanced with exam style questions practise all the areas of the

**cambridge english exams ielts cambridge university press** - Feb 25 2023

web fun for flyers student s book provides full colour preparation for cambridge english flyers fun activities balanced with exam style questions practise all the areas of the

*fun with flyers cambridge download only sutd* - Jul 21 2022

web apr 16 2015 fourth edition of the full color cambridge english young learners yle preparation activities for all three levels of the test starters movers flyers fun

**fun for starters movers and flyers cambridge english exams** - Feb 13 2022

web fun for starters movers and flyers fourth edition of the full colour cambridge english young learners yle preparation activities for all three levels of the test starters

*download fun for flyers student s book pdf sciarium* - Mar 17 2022

web description fourth edition of the full colour cambridge english young learners yle preparation activities for all three levels of the test starters movers flyers updated to

cambridge university press assessment cambridge - Jan 15 2022

cambridge university press 0521613671 fun for flyers - May 19 2022

web mar 17 2013 fun for flyers provides full colour preparation material for the cambridge young learners english test flyers fun activities balanced with exam style questions

*fun for flyers student s book by anne robinson* - Mar 29 2023

web fun for flyers fourth edition of the full colour cambridge english young learners yle preparation activities for all three levels of the test starters movers flyers updated to

**fun for flyers student s book with audio sciarium** - Sep 22 2022

web 978 0 521 74856 8 fun for flyers student s book second edition cambridge university press has flyers cambridge no responsibility for the persistence or accuracy of urls

download fun for flyers student s book pdf sciarium - Apr 17 2022

web apr 27 2009 fun for flyers provides full colour preparation material for the cambridge young learners english test flyers fun activities balanced with exam style questions