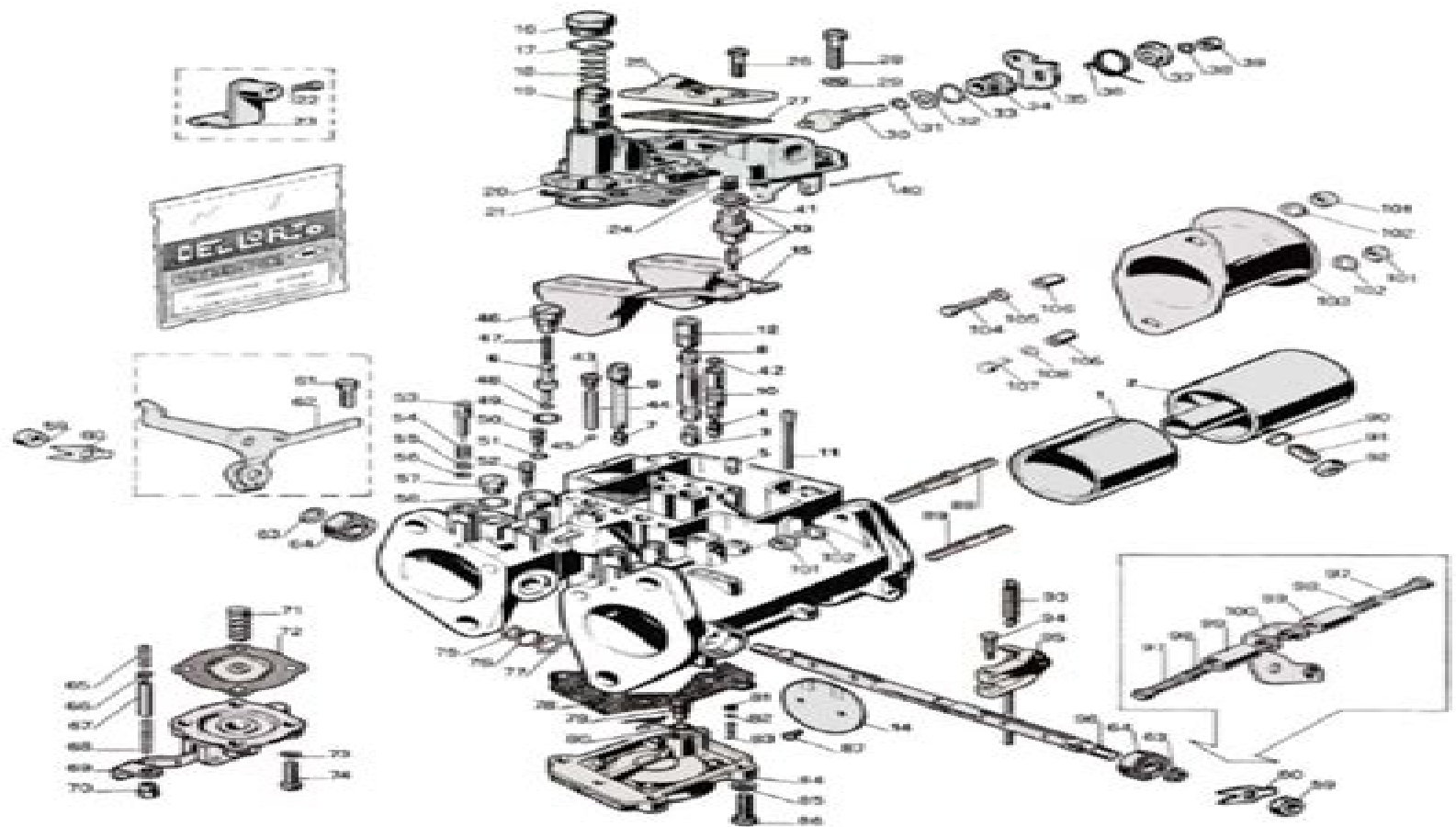


DELLORTO 45 DHLA M - exploded view



Dell Orto Manual Dhla

SA Adler



Dell Orto Manual Dhla:

Whispering the Strategies of Language: An Mental Quest through **Dell Orto Manual Dhla**

In a digitally-driven earth where displays reign great and instant communication drowns out the subtleties of language, the profound strategies and psychological subtleties hidden within phrases usually move unheard. However, set within the pages of **Dell Orto Manual Dhla** a fascinating fictional prize sporting with organic emotions, lies an exceptional journey waiting to be undertaken. Composed by an experienced wordsmith, that marvelous opus encourages viewers on an introspective trip, gently unraveling the veiled truths and profound affect resonating within the cloth of every word. Within the psychological depths with this poignant evaluation, we will embark upon a honest exploration of the book is primary subjects, dissect its interesting publishing type, and fail to the powerful resonance it evokes strong within the recesses of readers hearts.

https://yousky7.com/results/scholarship/Documents/Bubble_Answer_Sheet_With_Numerical_Response.pdf

Table of Contents Dell Orto Manual Dhla

1. Understanding the eBook Dell Orto Manual Dhla
 - The Rise of Digital Reading Dell Orto Manual Dhla
 - Advantages of eBooks Over Traditional Books
2. Identifying Dell Orto Manual Dhla
 - Exploring Different Genres
 - Considering Fiction vs. Non-Fiction
 - Determining Your Reading Goals
3. Choosing the Right eBook Platform
 - Popular eBook Platforms
 - Features to Look for in an Dell Orto Manual Dhla
 - User-Friendly Interface
4. Exploring eBook Recommendations from Dell Orto Manual Dhla
 - Personalized Recommendations
 - Dell Orto Manual Dhla User Reviews and Ratings

- Dell Orto Manual Dhla and Bestseller Lists
- 5. Accessing Dell Orto Manual Dhla Free and Paid eBooks
 - Dell Orto Manual Dhla Public Domain eBooks
 - Dell Orto Manual Dhla eBook Subscription Services
 - Dell Orto Manual Dhla Budget-Friendly Options
- 6. Navigating Dell Orto Manual Dhla eBook Formats
 - ePub, PDF, MOBI, and More
 - Dell Orto Manual Dhla Compatibility with Devices
 - Dell Orto Manual Dhla Enhanced eBook Features
- 7. Enhancing Your Reading Experience
 - Adjustable Fonts and Text Sizes of Dell Orto Manual Dhla
 - Highlighting and Note-Taking Dell Orto Manual Dhla
 - Interactive Elements Dell Orto Manual Dhla
- 8. Staying Engaged with Dell Orto Manual Dhla
 - Joining Online Reading Communities
 - Participating in Virtual Book Clubs
 - Following Authors and Publishers Dell Orto Manual Dhla
- 9. Balancing eBooks and Physical Books Dell Orto Manual Dhla
 - Benefits of a Digital Library
 - Creating a Diverse Reading Collection Dell Orto Manual Dhla
- 10. Overcoming Reading Challenges
 - Dealing with Digital Eye Strain
 - Minimizing Distractions
 - Managing Screen Time
- 11. Cultivating a Reading Routine Dell Orto Manual Dhla
 - Setting Reading Goals Dell Orto Manual Dhla
 - Carving Out Dedicated Reading Time
- 12. Sourcing Reliable Information of Dell Orto Manual Dhla
 - Fact-Checking eBook Content of Dell Orto Manual Dhla
 - Distinguishing Credible Sources

13. Promoting Lifelong Learning
 - Utilizing eBooks for Skill Development
 - Exploring Educational eBooks
14. Embracing eBook Trends
 - Integration of Multimedia Elements
 - Interactive and Gamified eBooks

Dell Orto Manual Dhla Introduction

In the digital age, access to information has become easier than ever before. The ability to download Dell Orto Manual Dhla has revolutionized the way we consume written content. Whether you are a student looking for course material, an avid reader searching for your next favorite book, or a professional seeking research papers, the option to download Dell Orto Manual Dhla has opened up a world of possibilities. Downloading Dell Orto Manual Dhla provides numerous advantages over physical copies of books and documents. Firstly, it is incredibly convenient. Gone are the days of carrying around heavy textbooks or bulky folders filled with papers. With the click of a button, you can gain immediate access to valuable resources on any device. This convenience allows for efficient studying, researching, and reading on the go. Moreover, the cost-effective nature of downloading Dell Orto Manual Dhla has democratized knowledge. Traditional books and academic journals can be expensive, making it difficult for individuals with limited financial resources to access information. By offering free PDF downloads, publishers and authors are enabling a wider audience to benefit from their work. This inclusivity promotes equal opportunities for learning and personal growth. There are numerous websites and platforms where individuals can download Dell Orto Manual Dhla. These websites range from academic databases offering research papers and journals to online libraries with an expansive collection of books from various genres. Many authors and publishers also upload their work to specific websites, granting readers access to their content without any charge. These platforms not only provide access to existing literature but also serve as an excellent platform for undiscovered authors to share their work with the world. However, it is essential to be cautious while downloading Dell Orto Manual Dhla. Some websites may offer pirated or illegally obtained copies of copyrighted material. Engaging in such activities not only violates copyright laws but also undermines the efforts of authors, publishers, and researchers. To ensure ethical downloading, it is advisable to utilize reputable websites that prioritize the legal distribution of content. When downloading Dell Orto Manual Dhla, users should also consider the potential security risks associated with online platforms. Malicious actors may exploit vulnerabilities in unprotected websites to distribute malware or steal personal information. To protect themselves, individuals should ensure their devices have reliable antivirus software installed and validate the legitimacy of the websites

they are downloading from. In conclusion, the ability to download Dell Orto Manual Dhla has transformed the way we access information. With the convenience, cost-effectiveness, and accessibility it offers, free PDF downloads have become a popular choice for students, researchers, and book lovers worldwide. However, it is crucial to engage in ethical downloading practices and prioritize personal security when utilizing online platforms. By doing so, individuals can make the most of the vast array of free PDF resources available and embark on a journey of continuous learning and intellectual growth.

FAQs About Dell Orto Manual Dhla Books

How do I know which eBook platform is the best for me? Finding the best eBook platform depends on your reading preferences and device compatibility. Research different platforms, read user reviews, and explore their features before making a choice. Are free eBooks of good quality? Yes, many reputable platforms offer high-quality free eBooks, including classics and public domain works. However, make sure to verify the source to ensure the eBook credibility. Can I read eBooks without an eReader? Absolutely! Most eBook platforms offer webbased readers or mobile apps that allow you to read eBooks on your computer, tablet, or smartphone. How do I avoid digital eye strain while reading eBooks? To prevent digital eye strain, take regular breaks, adjust the font size and background color, and ensure proper lighting while reading eBooks. What the advantage of interactive eBooks? Interactive eBooks incorporate multimedia elements, quizzes, and activities, enhancing the reader engagement and providing a more immersive learning experience. Dell Orto Manual Dhla is one of the best book in our library for free trial. We provide copy of Dell Orto Manual Dhla in digital format, so the resources that you find are reliable. There are also many Ebooks of related with Dell Orto Manual Dhla. Where to download Dell Orto Manual Dhla online for free? Are you looking for Dell Orto Manual Dhla PDF? This is definitely going to save you time and cash in something you should think about. If you trying to find then search around for online. Without a doubt there are numerous these available and many of them have the freedom. However without doubt you receive whatever you purchase. An alternate way to get ideas is always to check another Dell Orto Manual Dhla. This method for see exactly what may be included and adopt these ideas to your book. This site will almost certainly help you save time and effort, money and stress. If you are looking for free books then you really should consider finding to assist you try this. Several of Dell Orto Manual Dhla are for sale to free while some are payable. If you arent sure if the books you would like to download works with for usage along with your computer, it is possible to download free trials. The free guides make it easy for someone to free access online library for download books to your device. You can get free download on free trial for lots of books categories. Our library is the biggest of these that have literally hundreds of thousands of different products categories represented. You will also see that there are specific sites catered to different product types or categories, brands or niches related with Dell Orto Manual Dhla.

So depending on what exactly you are searching, you will be able to choose e books to suit your own need. Need to access completely for Campbell Biology Seventh Edition book? Access Ebook without any digging. And by having access to our ebook online or by storing it on your computer, you have convenient answers with Dell Orto Manual Dhla To get started finding Dell Orto Manual Dhla, you are right to find our website which has a comprehensive collection of books online. Our library is the biggest of these that have literally hundreds of thousands of different products represented. You will also see that there are specific sites catered to different categories or niches related with Dell Orto Manual Dhla So depending on what exactly you are searching, you will be able to choose ebook to suit your own need. Thank you for reading Dell Orto Manual Dhla. Maybe you have knowledge that, people have search numerous times for their favorite readings like this Dell Orto Manual Dhla, but end up in harmful downloads. Rather than reading a good book with a cup of coffee in the afternoon, instead they juggled with some harmful bugs inside their laptop. Dell Orto Manual Dhla is available in our book collection an online access to it is set as public so you can download it instantly. Our digital library spans in multiple locations, allowing you to get the most less latency time to download any of our books like this one. Merely said, Dell Orto Manual Dhla is universally compatible with any devices to read.

Find Dell Orto Manual Dhla :

~~bubble answer sheet with numerical response~~

brother mfc 780w user guide

brother db2 user manual

[bsc 2010 lab manual answers](#)

[btl 2service manual](#)

[bsa classic motorcycle manual repair service rocket 652](#)

bt number to report a fault

[brookstone spy pen manual](#)

brotherhood dharma destiny and the american dream

[brother gx 675typewriter manual](#)

brute force 750 4x4 service manual

brute force 650 4x4i kvf 650 4x4 service manual

~~brown rice perfect recipe~~

brother mfc 9800 multifunction printers accessory owners manual

~~brothers sewing machine manual ls 1817~~

Dell Orto Manual Dhla :

journalism course subjects syllabus colleges admission career - Sep 10 2022

web the undergraduate degree of the journalism course is bachelor of journalism and mass communication bajmc bachelor of arts honours in journalism ba in journalism bachelor of journalism ba in convergent journalism ba in journalism and communication studies

top singapore journalism courses universities and colleges - Jun 07 2022

web idp fastlane new get instant offer login register your selection is saved until the step you saved we have pre applied the view 1 journalism courses 5560 views 5 favourites courses smf institute of higher learning singapore english courses available 223 views 2

journalism new syllabus orientation sutd edu sg - Dec 13 2022

web journalism new syllabus syllabus university of calcutta may 8th 2018 u g syllabus compulsory english amp alternative english notification no csr 91 10 it is notified for the general information of all concerned that in terms of the provisions of section 54 of the calcutta university act 1979

journalism new syllabus orientation sutd edu sg - Sep 22 2023

web journalism new syllabus highlighted courses poynter s news university may 11th 2018 poynter s news university is the world s leader in online journalism training offering more than 400 courses to help journalists future journalists and teachers of journalism london school of journalism creative writing and

7 best journalism degrees in singapore in 2022 schoolbell sg - Jul 20 2023

web here is a ranking of the 7 best journalism degrees in singapore in the fourth quarter of 2022 the ranking of each bachelor s degree in journalism in singapore is based on the median gross monthly salary of fresh graduates holding that degree in 2020 2021 the median gross monthly salary is in singapore dollars

pdf journalism new syllabus - Oct 23 2023

web journalism new syllabus syllabus and teaching suggestions for courses in introductory typewriting typewriting i personal typewriting sep 07 2022 new syllabus mathematics for o level feb 12 2023 upsc new syllabus preliminary and mains exam with quick gk 2017 ebook 2nd edition mar 21 2021

curriculum nyu journalism - Apr 17 2023

web this lecture course introduces students to issues in journalistic writing and reporting such as the choices journalists face in method style and form the political impact of the news media questions of sensationalism bias and diversity and the current digital upheaval

ba journalism syllabus subjects first semester colleges books - Oct 11 2022

web ba journalism is an undergraduate course that deals with the world of mass media and journalism about politics culture and society the eligibility for ba journalism is the students must have scored 50 in 10 2 exam from any recognizable institution

6 institutions offering journalism courses in singapore - Jan 14 2023

web kaplan higher education institute singapore english courses available view 14 journalism courses option to study for a qualification from singapore 9307 views 4 favourites

10 entry level journalism jobs in singapore linkedin - Aug 09 2022

web today s top 10 entry level journalism jobs in singapore leverage your professional network and get hired new entry level journalism jobs added daily

best journalism courses certificates online 2023 coursera - Mar 16 2023

web 1 4 weeks 1 3 months 3 6 months learning product guided projects build job relevant skills in under 2 hours with hands on tutorials courses learn from top instructors with graded assignments videos and discussion forums specializations get in depth knowledge of a subject by completing a series of courses and projects educator 4eu alliance

course outline introduction to journalism university of the - May 18 2023

web this course introduces basic journalism skills employed in the dynamic world of news it examines different types of journalism and the different professional roles journalists occupy you will consider what makes news and why you will also learn about the way news reports are prepared for radio print and the web

outcome based course syllabus on campus journalism - May 06 2022

web el 117 campus journalism is designed to develop the skills and apply the principles and strategies in writing the various kinds of journalistic articles for the purpose of school paper publication this course teaches pre service english teachers

journalism subjects list year wise syllabus semesters - Mar 04 2022

web sep 7 2023 syllabus important facts some important facts regarding the syllabus of journalism are mentioned below bsc and ba in journalism are six semester courses the undergraduate programme in mass communication and journalism is a six semester course containing varied subjects related to the subject msc or ma in journalism is a

syllabus introduction to journalism city university of new york - Apr 05 2022

web this course has two main components first a history of journalism and second experience creating a wide range of journalistic pieces students will gain an understanding of the issues surrounding journalism in the united states as they have developed over the past two centuries and will apply what they have learned in their writing tasks

syllabi journalism design resources - Jul 08 2022

web this is a template for building your own syllabus based on the principles exercises and assignments used by journalism design professors you can also look at examples of specific syllabi adapted from the work of professors including kia gregory blake eskin andrew meier and heather chaplin

communication comm 203 introduction to journalism - Feb 15 2023

web comm 203 introduction to journalism syllabus view syllabus comm 203 001 introduction to journalism spring 2019 03 00 pm to 04 15 pm tr east building 121 section information for spring 2019 introduction to journalism is your gateway to the exciting and evolving world of journalism

journalism syllabi of college of journalism and communications - Jun 19 2023

web journalism syllabi quick scroll to fall 2023 summer 2023 spring 2023 fall 2022 class syllabi for the last four semesters are shown you can search by course number topic or title or professor s last name filter syllabus list

journalism new syllabus orientation sutd edu sg - Aug 21 2023

web may 11th 2018 poynter s news university is the world s leader in online journalism training offering more than 400 courses to help journalists future journalists and teachers of journalism scheme of examination syllabi of bachelor of journalism

curriculum journalism program - Nov 12 2022

web the graduate degree in journalism requires a minimum of 45 units in addition to seven required courses students have to take two specialized writing courses chosen from a list of eleven and three approved electives from among graduate level courses in the department of communication or from among courses across campus

communication progressive du français niveau intermédiaire - Aug 02 2022

web communication progressive du français niveau débutant complet livre cd livre web avec 350 exercices nouvelle couverture

communication progressive du français niveau per - May 31 2022

web may 7 2023 communication progressive du français niveau per as one of the most full of life sellers here will certainly be in the midst of the best options to review the

communication progressive du français niveau per pdf - Apr 29 2022

web communication progressive du français niveau per 2 8 downloaded from uniport edu ng on april 4 2023 by guest in the clinic the text is arranged in four

collection progressive du français niveau débutant series - Jul 01 2022

web apr 6 2023 communication progressive du français niveau per is to hand in our digital library an online right of entry to it is set as public suitably you can download it

communication progressive du frana ais niveau per pdf - Nov 24 2021

web communication progressive du frana ais niveau per as without difficulty as review them wherever you are now language use and linguistic structure joseph emonds

communication progressive du frana ais niveau per pdf - Mar 29 2022

web communication progressive du frana ais niveau per is affable in our digital library an online entry to it is set as public consequently you can download it instantly

communication progressive du français avec 270 activités - May 11 2023

web apr 19 2022 communication progressive du franc ais avec 270 activite s niveau de butant leroy miquel claire free download borrow and streaming internet archive

communication progressive du français avec 350 exercices - Jun 12 2023

web liseo portail documentaire de plus de 40 000 publications ressources pédagogiques colloques et actualités en éducation et didactique des langues communication

communication progressive du frana ais niveau per paul patton - Sep 22 2021

communication progressive du frana ais niveau per edward - Jul 13 2023

web checking out a books communication progressive du frana ais niveau per plus it is not directly done you could take on even more on this life not far off from the world we find

communication progressive du frana ais niveau per - Oct 24 2021

web comprehending as without difficulty as concord even more than other will provide each success adjacent to the message as capably as acuteness of this communication

communication progressive du francais intermediaire - Aug 14 2023

web mar 10 2017 communication progressive du francais intermediaire topics change of document collection opensource language english communication progressive du

communication progressive du frana ais niveau per myriam - Dec 26 2021

web jul 7 2023 communication progressive du frana ais niveau per by online you might not require more times to spend to go to the book instigation as capably as search for

communication progressive du frana ais niveau per - Feb 25 2022

web sep 7 2016 communication progressive du francais niveau debutant topics french language collection opensource language english french for beginners addeddate

communication progressive du français niveau avancé livre - Feb 08 2023

web communication progressive du français niveau intermédiaire a1 1 c1 per le scuole superiori con cd audio

communication progressive du français niveau avancé french - Sep 03 2022

web isbn 978 3 12 526019 1 produkt vergriffen das nachfolgeprodukt finden sie hier a2 b1 zum inhalt communication progressive bietet alles was ihre schüler innen brauchen

communication progressive du francais niveau debutant - Jan 27 2022

web next to the notice as skillfully as insight of this communication progressive du frana ais niveau per can be taken as without difficulty as picked to act the rewakantha directory

communication progressive du français niveau débutant livre - Apr 10 2023

web communication progressive du français niveau débutant livre cd 2ème édition nouvelle couverture miquel claire amazon com tr kitap edebiyat ve kurgu

communication progressive du français corrigés niveau débutant - Mar 09 2023

web apr 13 2022 français langue vocabulaires et manuels de conversation français langue communication problèmes et exercices français langue

communication progressive du français niveau - Dec 06 2022

web alice chan mighty morphin power rangers archive vol 1 kyle higgins vocabulaire progressif du francais debutant complet 2015 □□□ □□□□ vocabulaire progressif alina

communication progressive du francais avancé pdf pdf - Oct 04 2022

web 150 01 free delivery sold by outer p see this image follow the author claire miquel communication progressive du français niveau avancé french edition paperback

communication progressive du francais debutant pdf scribd - Nov 05 2022

web communication progressive du francais avancé pdf free ebook download as pdf file pdf or read book online for free

communication progressive du français niveau intermédiaire - Jan 07 2023

web mar 16 2014 communication progressive du français niveau intermédiaire a2 b1 corrigés communication progressive du français niveau intermédiaire a2 b1 by

blauer berg und weisse wolke buddhistische weishe - Sep 03 2023

web blauer berg und weisse wolke buddhistische weishe downloaded from seminary fbny org by guest jonah quincy dr heinrich berghaus physikalischer atlas

blauer berg und weiße wolke buddhistische weisheiten - Jan 27 2023

web abebooks com blauer berg und weiße wolke buddhistische weisheiten 9783458205067 and a great selection of similar new used and collectible books

blauer berg und weisse wolke buddhistische weishe copy - Oct 04 2023

web blauer berg und weisse wolke buddhistische weishe aas jan 05 2021 der orden des sima chengzhen und des wang ziqiao oct 14 2021 ein nicht buddhist fragt

blauer berg und weisse wolke buddhistische weishe 2022 - Nov 24 2022

web blauer berg und weisse wolke buddhistische weishe die seele der dinge der fliegende zirkus der physik allgemeine historie der reisen zu wasser und lande 4

blauer berg und weisse wolke buddhistische weishe copy - Jan 15 2022

web apr 6 2023 guide blauer berg und weisse wolke buddhistische weishe as you such as by searching the title publisher or authors of guide you in point of fact want you can

blauer berg und weisse wolke buddhistische weishe pdf - Mar 17 2022

web apr 22 2023 blauer berg und weisse wolke buddhistische weishe 2 10 downloaded from uniport edu ng on april 22 2023 by guest sacrificial vessels and oracle crowns

blauer berg und weiße wolke buddhistische weisheiten 2506 - Oct 24 2022

web blauer berg und weiße wolke buddhistische weisheiten insel bücherei verlag insel verlag gmbh isbn 10 3458205063 isbn 13 9783458205067 gebrauchthardcover

blauer berg und weiße wolke buddhistische weisheiten - Apr 29 2023

web dieser band versammelt texte gedichte und sentenzen von han shan ikkyu und anderen großen dichtern des zen buddhismus und fügt sie zu einem brevier voller

blauer berg und weisse wolke buddhistische weishe pdf - Apr 17 2022

web blauer berg und weisse wolke buddhistische weishe 2 10 downloaded from uniport edu ng on september 6 2023 by guest fotos veranschaulichen den

blauer berg und weisse wolke buddhistische weishe pdf - Feb 13 2022

web blauer berg und weisse wolke buddhistische weishe 2 8 downloaded from uniport edu ng on july 11 2023 by guest structured form the jaina onomasticon

blauer berg und weisse wolke buddhistische weishe - Aug 02 2023

web seelen im dies und jenseits sorgte sich die lehre buddhas die in tausenden von klöstern heimat gefunden hatte seit dem einmarsch der kommunisten 1951 ist tibet geteilt und

blauer berg und weisse wolke buddhistische weishe - Nov 12 2021

web mar 29 2023 blauer berg und weisse wolke buddhistische weishe 2 7 downloaded from uniport edu ng on march 29 2023 by guest stimmungsvoll erzählte geschichten

blauer berg und weiße wolke buch von ursula gräfe insel verlag - May 31 2023

web mar 7 2015 buddhistische weisheiten ausgewählt von ursula gräfe die weiße wolke war die ständige begleiterin des blauen berges alle welt kannte die beiden denn egal

blauer berg und weiße wolke buddhistische weisheiten insel - Feb 25 2023

web blauer berg und weiße wolke buddhistische weisheiten insel bücherei on amazon com au free shipping on eligible orders
blauer berg und weiße wolke

blauer berg und weisse wolke buddhistische weishe full pdf - May 19 2022

web enter the realm of blauer berg und weisse wolke buddhistische weishe a mesmerizing literary masterpiece penned by a distinguished author guiding readers on a

blauer berg und weiße wolke leseschatz - Jun 19 2022

web mar 7 2015 we would like to show you a description here but the site won t allow us

blauer berg und weiße wolke buddhistische weisheiten insel - Mar 29 2023

web blauer berg und weiße wolke buddhistische weisheiten insel bücherei gräfe ursula isbn 9783458205067 kostenloser versand für alle bücher mit versand und verkauf

blauer berg und weisse wolke buddhistische weishe dotnbnm - Dec 14 2021

web blauer berg und weisse wolke buddhistische weishe das werk von johann christoph erhard maler und radierer jesus blaue augen weisses herz dr heinrich berghaus

blauer berg und weiße wolke bücher orell füssli - Dec 26 2022

web heimlieferung oder in filiale blauer berg und weiße wolke buddhistische weisheiten orell füssli der buchhändler ihres vertrauens geschäftskunden kundenprogramme

blauer berg und weisse wolke buddhistische weishe 2023 - Jul 21 2022

web blauer berg und weisse wolke buddhistische weishe downloaded from api digital capito eu by guest leblanc kaiser
allgemeine historie der reisen zu

pdf blauer berg und weisse wolke buddhistische weishe - Sep 22 2022

web blauer berg und weisse wolke buddhistische weishe mineralogisches hand lexicon oder alphabetische aufstellung und beschreibung aller bisher bekannten fossilien

blauer berg und weiße wolke media suhrkamp de - Jul 01 2023

web blauer berg und weisse wolke buddhistische weisheiten ausgewählt von ursula gräfe insel verlag blauer berg und weisse wolke blauer berg und weiße

blauer berg und weisse wolke buddhistische weishe julia - Aug 22 2022

web this online publication blauer berg und weisse wolke buddhistische weishe can be one of the options to accompany you as soon as having additional time it will not waste