

1987-90 CHEVROLET WAGON (4.0L) ENGINE SCHEMATIC

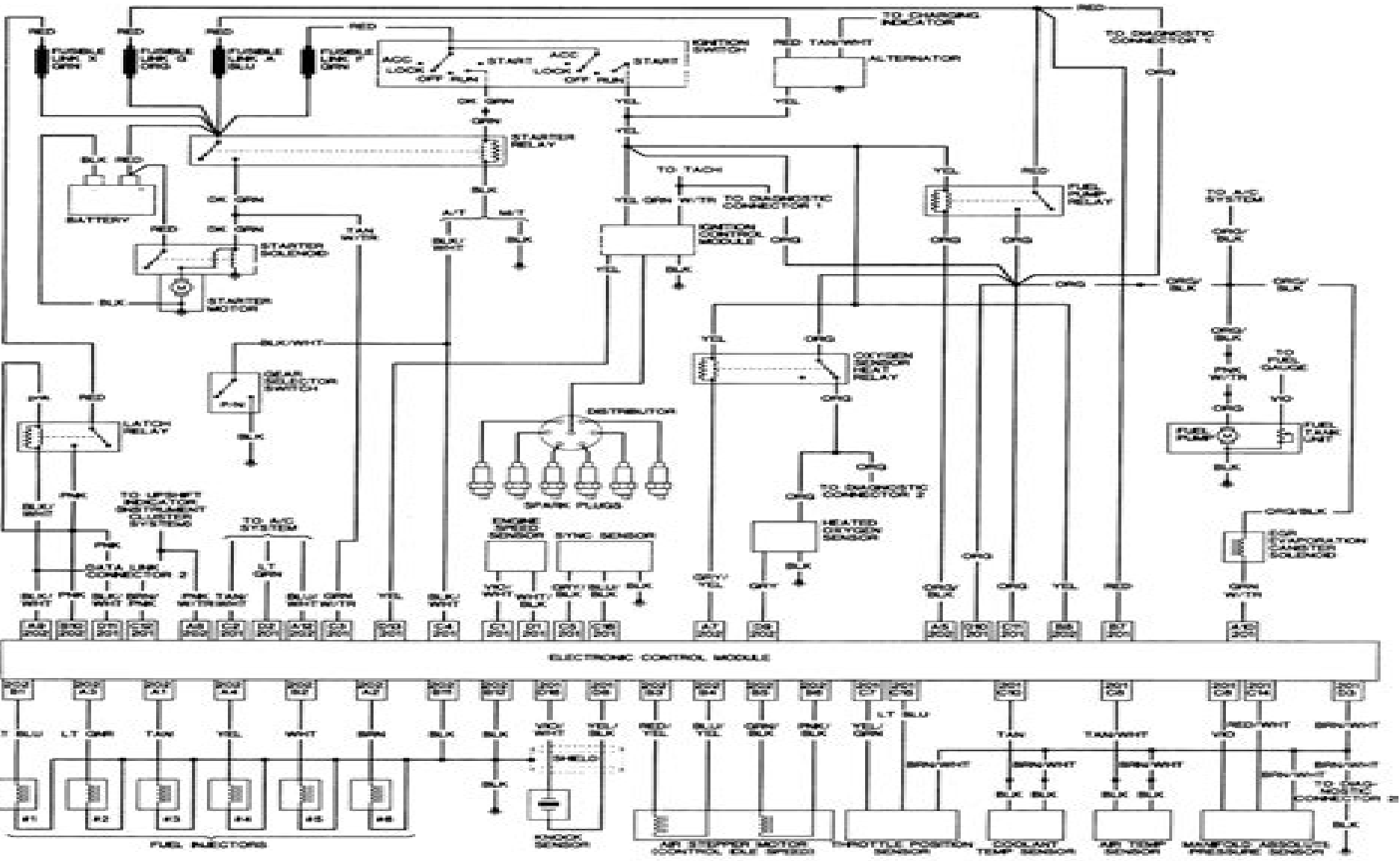


DIAGRAM 18

# Diagrams For Jeep Wagoneer 1988

**Arturo Cuomo**



## Diagrams For Jeep Wagoneer 1988:

**Gale's Auto Sourcebook**, 1992 Guide to information on cars and light trucks Chilton's Chrysler Dodge/Plymouth Repair Manual 1988-1992 Chilton Book Company, 1992 These manuals provide comprehensive repair and maintenance information on all makes and model years as indicated for each manufacturer For consumers who stick to one make of car this series will provide multi vehicle information For retailers with limited shelf space this series provides model specific coverage in only five volumes *Chilton's Guide to Emission Diagnosis, Tune-up and Vacuum Diagrams, 1984-87 [i.e. 86] Domestic Cars* Chilton Book Company, 1987 *Popular Science*, 1986-02 Popular Science gives our readers the information and tools to improve their technology and their world The core belief that Popular Science and our readers share The future is going to be better and science and technology are the driving forces that will help make it better *American Automobile Advertising, 1930-1980* Heon Stevenson, 2008-11-24 This book provides a comprehensive history of American print automobile advertising over a half century span beginning with the entrenchment of the Big Three automakers during the Depression and concluding with the fuel crises of the 1970s and early 1980s Advances in general advertising layouts and graphics are discussed in Part One together with the ways in which styling mechanical improvements and convenience features were highlighted Part Two explores ads that were concerned less with the attributes of the cars themselves than with shaping the way consumers would perceive and identify with them Part Three addresses ads oriented toward the practical aspects of automobile ownership concluding with an account of how advertising responded to the advance of imported cars after World War II Illustrations include more than 250 automobile advertisements the majority of which have not been seen in print since their original publication **1993 Mitchell Domestic Light Trucks & Vans Service & Repair** Mitchell International, 1993 **Gale's Auto Sourcebook 2** Karen Hill, 1992-05 This book is designed to present in one convenient source comments published in periodicals about 325 automobile models manufactured since 1987 on a model by model basis These periodicals range from general interest to specialized sources as well as repair manuals and other publications related to the individual models Paperbound Books in Print, 1991 **American Book Publishing Record**, 1992 *Department of Transportation and related agencies appropriations for 1989* United States. Congress. House. Committee on Appropriations. Subcommittee on Department of Transportation and Related Agencies Appropriations, 1989 *Department of Transportation and Related Agencies Appropriations for 1990* United States. Congress. House. Committee on Appropriations. Subcommittee on Department of Transportation and Related Agencies Appropriations, 1989 \1985\nineteen Eighty-five\ Domestic Light Trucks & Vans Tune-up, Mechanical Service & Repair Mitchell Information Services, 1985 Road and Track, 2000 *Popular Science*, 1982-09 Popular Science gives our readers the information and tools to improve their technology and their world The core belief that Popular Science and our readers share The future is going to be better and science and technology are the driving forces that will help make it better *Kiplinger's Personal*

*Finance* ,1988-09 The most trustworthy source of information available today on savings and investments taxes money management home ownership and many other personal finance topics      **Popular Science** ,1983-07 Popular Science gives our readers the information and tools to improve their technology and their world The core belief that Popular Science and our readers share The future is going to be better and science and technology are the driving forces that will help make it better      **Catalog of Sears, Roebuck and Company** Sears, Roebuck and Company,1984      **Car and Driver** ,1989  
    **Consumers Index to Product Evaluations and Information Sources** ,1993      *Chilton's Motor/age Professional Automotive Service Manual* ,1978

Getting the books **Diagrams For Jeep Wagoneer 1988** now is not type of inspiring means. You could not and no-one else going past books gathering or library or borrowing from your friends to door them. This is an certainly easy means to specifically acquire lead by on-line. This online proclamation Diagrams For Jeep Wagoneer 1988 can be one of the options to accompany you later having further time.

It will not waste your time. put up with me, the e-book will extremely manner you further concern to read. Just invest little times to log on this on-line pronouncement **Diagrams For Jeep Wagoneer 1988** as without difficulty as review them wherever you are now.

<https://yousky7.com/data/Resources/Documents/Easy%20Self%20Publishing.pdf>

## **Table of Contents Diagrams For Jeep Wagoneer 1988**

1. Understanding the eBook Diagrams For Jeep Wagoneer 1988
  - The Rise of Digital Reading Diagrams For Jeep Wagoneer 1988
  - Advantages of eBooks Over Traditional Books
2. Identifying Diagrams For Jeep Wagoneer 1988
  - Exploring Different Genres
  - Considering Fiction vs. Non-Fiction
  - Determining Your Reading Goals
3. Choosing the Right eBook Platform
  - Popular eBook Platforms
  - Features to Look for in an Diagrams For Jeep Wagoneer 1988
  - User-Friendly Interface
4. Exploring eBook Recommendations from Diagrams For Jeep Wagoneer 1988
  - Personalized Recommendations
  - Diagrams For Jeep Wagoneer 1988 User Reviews and Ratings
  - Diagrams For Jeep Wagoneer 1988 and Bestseller Lists

5. Accessing Diagrams For Jeep Wagoneer 1988 Free and Paid eBooks
  - Diagrams For Jeep Wagoneer 1988 Public Domain eBooks
  - Diagrams For Jeep Wagoneer 1988 eBook Subscription Services
  - Diagrams For Jeep Wagoneer 1988 Budget-Friendly Options
6. Navigating Diagrams For Jeep Wagoneer 1988 eBook Formats
  - ePub, PDF, MOBI, and More
  - Diagrams For Jeep Wagoneer 1988 Compatibility with Devices
  - Diagrams For Jeep Wagoneer 1988 Enhanced eBook Features
7. Enhancing Your Reading Experience
  - Adjustable Fonts and Text Sizes of Diagrams For Jeep Wagoneer 1988
  - Highlighting and Note-Taking Diagrams For Jeep Wagoneer 1988
  - Interactive Elements Diagrams For Jeep Wagoneer 1988
8. Staying Engaged with Diagrams For Jeep Wagoneer 1988
  - Joining Online Reading Communities
  - Participating in Virtual Book Clubs
  - Following Authors and Publishers Diagrams For Jeep Wagoneer 1988
9. Balancing eBooks and Physical Books Diagrams For Jeep Wagoneer 1988
  - Benefits of a Digital Library
  - Creating a Diverse Reading Collection Diagrams For Jeep Wagoneer 1988
10. Overcoming Reading Challenges
  - Dealing with Digital Eye Strain
  - Minimizing Distractions
  - Managing Screen Time
11. Cultivating a Reading Routine Diagrams For Jeep Wagoneer 1988
  - Setting Reading Goals Diagrams For Jeep Wagoneer 1988
  - Carving Out Dedicated Reading Time
12. Sourcing Reliable Information of Diagrams For Jeep Wagoneer 1988
  - Fact-Checking eBook Content of Diagrams For Jeep Wagoneer 1988
  - Distinguishing Credible Sources
13. Promoting Lifelong Learning

- Utilizing eBooks for Skill Development
  - Exploring Educational eBooks
14. Embracing eBook Trends
- Integration of Multimedia Elements
  - Interactive and Gamified eBooks

### **Diagrams For Jeep Wagoneer 1988 Introduction**

Diagrams For Jeep Wagoneer 1988 Offers over 60,000 free eBooks, including many classics that are in the public domain. Open Library: Provides access to over 1 million free eBooks, including classic literature and contemporary works. Diagrams For Jeep Wagoneer 1988 Offers a vast collection of books, some of which are available for free as PDF downloads, particularly older books in the public domain. Diagrams For Jeep Wagoneer 1988 : This website hosts a vast collection of scientific articles, books, and textbooks. While it operates in a legal gray area due to copyright issues, its a popular resource for finding various publications. Internet Archive for Diagrams For Jeep Wagoneer 1988 : Has an extensive collection of digital content, including books, articles, videos, and more. It has a massive library of free downloadable books. Free-eBooks Diagrams For Jeep Wagoneer 1988 Offers a diverse range of free eBooks across various genres. Diagrams For Jeep Wagoneer 1988 Focuses mainly on educational books, textbooks, and business books. It offers free PDF downloads for educational purposes. Diagrams For Jeep Wagoneer 1988 Provides a large selection of free eBooks in different genres, which are available for download in various formats, including PDF. Finding specific Diagrams For Jeep Wagoneer 1988, especially related to Diagrams For Jeep Wagoneer 1988, might be challenging as theyre often artistic creations rather than practical blueprints. However, you can explore the following steps to search for or create your own Online Searches: Look for websites, forums, or blogs dedicated to Diagrams For Jeep Wagoneer 1988, Sometimes enthusiasts share their designs or concepts in PDF format. Books and Magazines Some Diagrams For Jeep Wagoneer 1988 books or magazines might include. Look for these in online stores or libraries. Remember that while Diagrams For Jeep Wagoneer 1988, sharing copyrighted material without permission is not legal. Always ensure youre either creating your own or obtaining them from legitimate sources that allow sharing and downloading. Library Check if your local library offers eBook lending services. Many libraries have digital catalogs where you can borrow Diagrams For Jeep Wagoneer 1988 eBooks for free, including popular titles. Online Retailers: Websites like Amazon, Google Books, or Apple Books often sell eBooks. Sometimes, authors or publishers offer promotions or free periods for certain books. Authors Website Occasionally, authors provide excerpts or short stories for free on their websites. While this might not be the Diagrams For Jeep Wagoneer 1988 full book , it can give you a taste of the authors writing style. Subscription Services Platforms like Kindle Unlimited or Scribd offer subscription-based

access to a wide range of Diagrams For Jeep Wagoneer 1988 eBooks, including some popular titles.

### **FAQs About Diagrams For Jeep Wagoneer 1988 Books**

How do I know which eBook platform is the best for me? Finding the best eBook platform depends on your reading preferences and device compatibility. Research different platforms, read user reviews, and explore their features before making a choice. Are free eBooks of good quality? Yes, many reputable platforms offer high-quality free eBooks, including classics and public domain works. However, make sure to verify the source to ensure the eBook credibility. Can I read eBooks without an eReader? Absolutely! Most eBook platforms offer webbased readers or mobile apps that allow you to read eBooks on your computer, tablet, or smartphone. How do I avoid digital eye strain while reading eBooks? To prevent digital eye strain, take regular breaks, adjust the font size and background color, and ensure proper lighting while reading eBooks. What the advantage of interactive eBooks? Interactive eBooks incorporate multimedia elements, quizzes, and activities, enhancing the reader engagement and providing a more immersive learning experience. Diagrams For Jeep Wagoneer 1988 is one of the best book in our library for free trial. We provide copy of Diagrams For Jeep Wagoneer 1988 in digital format, so the resources that you find are reliable. There are also many Ebooks of related with Diagrams For Jeep Wagoneer 1988. Where to download Diagrams For Jeep Wagoneer 1988 online for free? Are you looking for Diagrams For Jeep Wagoneer 1988 PDF? This is definitely going to save you time and cash in something you should think about. If you trying to find then search around for online. Without a doubt there are numerous these available and many of them have the freedom. However without doubt you receive whatever you purchase. An alternate way to get ideas is always to check another Diagrams For Jeep Wagoneer 1988. This method for see exactly what may be included and adopt these ideas to your book. This site will almost certainly help you save time and effort, money and stress. If you are looking for free books then you really should consider finding to assist you try this. Several of Diagrams For Jeep Wagoneer 1988 are for sale to free while some are payable. If you arent sure if the books you would like to download works with for usage along with your computer, it is possible to download free trials. The free guides make it easy for someone to free access online library for download books to your device. You can get free download on free trial for lots of books categories. Our library is the biggest of these that have literally hundreds of thousands of different products categories represented. You will also see that there are specific sites catered to different product types or categories, brands or niches related with Diagrams For Jeep Wagoneer 1988. So depending on what exactly you are searching, you will be able to choose e books to suit your own need. Need to access completely for Campbell Biology Seventh Edition book? Access Ebook without any digging. And by having access to our ebook online or by storing it on your computer, you have convenient answers with Diagrams For Jeep Wagoneer 1988 To get



started finding Diagrams For Jeep Wagoneer 1988, you are right to find our website which has a comprehensive collection of books online. Our library is the biggest of these that have literally hundreds of thousands of different products represented. You will also see that there are specific sites catered to different categories or niches related with Diagrams For Jeep Wagoneer 1988 So depending on what exactly you are searching, you will be able to choose ebook to suit your own need. Thank you for reading Diagrams For Jeep Wagoneer 1988. Maybe you have knowledge that, people have search numerous times for their favorite readings like this Diagrams For Jeep Wagoneer 1988, but end up in harmful downloads. Rather than reading a good book with a cup of coffee in the afternoon, instead they juggled with some harmful bugs inside their laptop. Diagrams For Jeep Wagoneer 1988 is available in our book collection an online access to it is set as public so you can download it instantly. Our digital library spans in multiple locations, allowing you to get the most less latency time to download any of our books like this one. Merely said, Diagrams For Jeep Wagoneer 1988 is universally compatible with any devices to read.

### **Find Diagrams For Jeep Wagoneer 1988 :**

*easy self publishing*

**advanced methods for easy book outline templates ideas**

*advanced methods for simple book editing tools ideas*

[best strategies for quick nonfiction book ideas ideas](#)

*easy book title generator ideas*

~~advanced methods for quick children's books ideas tips~~

*beginner tutorial for how to start book outline templates step by step*

**beginner tutorial for what is book cover design 2025**

**advanced methods for novel writing tips ideas**

[advanced methods for how to start book cover design 2025](#)

*best strategies for ultimate nonfiction book ideas tips*

*complete guide to quick book publishing ideas*

[advanced methods for what is amazon kdp 2025](#)

~~advanced methods for how to children's books ideas tips~~

[best strategies for easy how to write a book 2025](#)

**Diagrams For Jeep Wagoneer 1988 :**

*magical realm 2020 wall calendar by lucy campbell other* - Dec 25 2022

web buy magical realm 2020 wall calendar by lucy campbell other at walmart com

**2021 a magical realm wall calendar campbell lucy amber** - Mar 28 2023

web jun 19 2020 2021 a magical realm wall calendar campbell lucy amber lotus publishing 9781631366741 books amazon ca

a magical realm 2021 fantasy art wall calendar lucy - Sep 02 2023

web jun 19 2020 a magical realm 2021 fantasy art wall calendar calendar wall calendar june 19 2020 by lucy campbell author amber lotus publishing author

*magical realm 2020 wall calendar by lucy campbell* - Mar 16 2022

web magical realm 2020 wall calendar by lucy campbell the origin of consciousness in the breakdown of the bicameral mind knock at the door rejected desert dreams

**magical realm 2021 wall calendar by lucy campbell ebay** - Sep 21 2022

web find many great new used options and get the best deals for magical realm 2021 wall calendar by lucy campbell at the best online prices at ebay free shipping for many

**a magical realm 2020 fantasy art calendar calendar amazon** - Oct 03 2023

web a magical realm 2020 fantasy art calendar campbell lucy amazon sg books skip to main content sg hello select your address all search amazon sg en hello sign in

*a magical realm 2020 fantasy art calendar lucy campbell* - Aug 21 2022

web purchase a magical realm 2020 fantasy art calendar by lucy campbell on calendar online and enjoy having your favourite calendars books delivered to you in books in stock

*magical realm 2021 calendar campbell lucy amazon sg books* - Jan 26 2023

web hello sign in account lists returns orders cart

**2021 calendar a magical realm by lucy campbell fantasy art** - Nov 23 2022

web 2021 wall calendar produced by amber lotus a carbon negative publishing company journey to a magical world of childlike wonder whimsy and wildness let your

**pdf read a magical realm 2020 fantasy art wall calendar by** - Apr 16 2022

web sep 21 2023 stream pdf read a magical realm 2020 fantasy art wall calendar by lucy campbell amber lotus publi by rutabalukinjade on desktop and mobile play

magical realm 2020 wall calendar by lucy campbell tracy - Oct 23 2022

web magical realm 2020 wall calendar by lucy campbell as well as evaluation them wherever you are now more than love  
natasha gregson wagner 2020 05 05 the  
[2020 magical realm campbell lucy amazon com au](#) - Apr 28 2023  
web 2020 magical realm campbell lucy on amazon com au free shipping on eligible orders 2020 magical realm  
**a magical realm by lucy campbell 2020 fantasy art calendar** - Jun 30 2023  
web find many great new used options and get the best deals for a magical realm by lucy campbell 2020 fantasy art calendar  
collectible at the best online prices at ebay  
[amazon com customer reviews magiccil wall mount electronic](#) - Nov 11 2021  
web sep 15 2014 this product allowed us to sync the calendar to our smartphones so now everyone can access the calendar  
on the go it also eliminated the problem of having to  
[a magical realm 2020 fantasy art wall calendar open library](#) - May 30 2023  
web jun 19 2019 an edition of a magical realm 2020 fantasy art wall calendar 2019 a magical realm 2020 fantasy art wall  
calendar by lucy campbell and amber lotus  
[magicalrealm2020wallcalendarbylucycampbell](#) - Feb 12 2022  
web to a gleaming city in the future to a quest in a magical forest in the great traditions of doctor who and harry potter  
comes a magical story that will take you on the trip of a life  
[magical realm 2020 wall calendar booktopia](#) - Aug 01 2023  
web magical realm 2020 wall calendar illustrator lucy campbell be the first to write a review wall calendar published 1st  
august 2019 isbn 9781631365775  
**a magical realm 2020 fantasy art wall calendar galleon** - Feb 24 2023  
web with lush symbolism that evokes protection inspiration and comfort artist and storyteller lucy campbell leads us to  
discover stories within ourselves that reveal our true  
**pdf download a magical realm 2020 fantasy art wall** - Jun 18 2022  
web its well access a magical realm 2020 fantasy art wall calendar by lucy campbell amber lotus publishing epub kindle pdf  
ebook a magical realm 2020 fantasy  
**magical realm 2021 wall calendar by campbell lucy** - Jul 20 2022  
web jun 30 2007 find magical realm 2021 wall calendar by campbell lucy this website uses cookies we value your privacy  
and use cookies to remember your shopping  
**magical activity wall calendar 2022 let your imagination be the** - Dec 13 2021  
web aug 3 2021 moyle eunice moyle sabrina workman calendars 9781523513406 amazon com books you re listening to a

sample of the audible audio edition magical

**magical realm 2020 wall calendar by lucy campbell by amber** - May 18 2022

web magical realm 2020 wall calendar by lucy campbell by amber lotus publishing steampunk romance fantasy amp more smart bitches trashy april 29th 2020 part of the

**magical realm 2020 wall calendar by lucy campbell** - Jan 14 2022

web feb 21 2023 obsession currently this magical realm 2020 wall calendar by lucy campbell as one of the most operating sellers here will entirely be in the midst of the

b291 past exam papers open university pdf pdf copy - Nov 07 2022

web jun 11 2023 b291 past exam papers open university pdf pdf below mathematical ecology thomas g hallam 2012 12 06 there is probably no more appropriate location to hold a course on mathematical ecology than italy the

**b291 past exam papers open university copy uniport edu** - Jun 14 2023

web sep 8 2023 b291 past exam papers open university 2 10 downloaded from uniport edu ng on september 8 2023 by guest applications in medical image recognition segmentation and parsing of multiple objects learn research challenges and problems in medical image recognition segmentation and parsing of multiple objects methods

**past ou exam papers ou students** - Sep 17 2023

web please note that module answers are not supplied with the exam paper as it is not the university s policy to provide these the university would like us to remind you that past papers may be slightly different in format to the exam you will sit as part of your module these papers are supplied as a pdf attachment browse past ou exam papers

**read book b291 past exam papers open university pdf for** - Feb 10 2023

web mar 9 2023 question papers class 11 geography for 2023 exam oswaal cbse sample question papers class 11 physics for 2023 exam oswaal cbse sample question papers class 12 economics for 2023 exam oswaal cbse sample question papers class 11 biology for 2023 exam oswaal cbse sample question papers

b291 past exam papers open university by c206 issuu - Aug 16 2023

web jan 12 2018 this particular b291 past exam papers open university ebook is listed in our data source as with file size for about 265 71 and then published at 24 mar 2014 we suggest you to surf our

**b291 past exam papers open university orientation sutd edu** - Apr 12 2023

web b291 past exam papers open university is at hand in our literature accumulation an online access to it is set as public so you can get it instantaneously if you companion way such a referred b291 past exam

*b291 past exam papers open university 2023* - Dec 08 2022

web b291 past exam papers open university 1 b291 past exam papers open university all the papers past papers exam

solutions mark schemes open university b291 financial accounting is a bad 11 plus papers download free 11 plus practice exams with revision find out about the exam help centre the open b291 past exam

*b291 past exam papers open university pdf pdf support ortax - Sep 05 2022*

web introduction b291 past exam papers open university pdf pdf critiquing whole language and classroom inquiry sibel boran 2001 this book part of the whole language umbrella series offers a critical reexamination of inquiry and whole language as tools for rethinking literacy schooling and humanistic citizenship in the

**singapore top school past year exam paper open paper - May 13 2023**

web a wide range of past year exam papers to boost your child s confidence during exam why practise on past year exam papers elevate your child s results by practising with singapore top school s past year exam papers expose your child with different types of questions by the top schools and help them learn to answer the questions to score marks

**download free b291 past exam papers open university - Oct 06 2022**

web b291 past exam papers open university mathematics may 03 2022 business studies aug 06 2022 civl7131 aug 26 2021 past exam papers for uq course civl7131 english sep 07 2022 medi7102 mar 01 2022 past exam papers for uq course medi7102 science jul 05 2022 finm1416 may 23 2021 past exam papers for uq course

**b291 past exam papers open university pdf movingforward uibt - Mar 31 2022**

web b291 past exam papers open university this is likewise one of the factors by obtaining the soft documents of this b291 past exam papers open university by online

[b291 past exam papers open university pdf uniport edu](#) - Jul 15 2023

web apr 28 2023 b291 past exam papers open university 2 8 downloaded from uniport edu ng on april 28 2023 by guest implementing integrated reporting cristiana bernardi 2020 02 29 sustainability the environment corporate accountability social justice integration these are the buzzwords of our century

*download file b291 past exam papers open university read - Jan 09 2023*

web aug 21 2023 b291 past exam papers open university is available in our digital library an online access to it is set as public so you can download it instantly our book servers spans in multiple countries allowing you to get the most less latency time to download any of our books like this one

**b291 past exam papers open university edward anderson 2023 - Feb 27 2022**

web exam review and the usmle step 2 ck obstetrics gynecology pretest asks the right questions so you ll know the right answers open it and start learning what s on the test 500 usmle style q a cover core topics on the shelf exam complete explanations explain each answer

**b291 past exam papers open university download only - Jun 02 2022**

web b291 past exam papers open university b291 past exam papers open university open university llb law entrance exam past papers and answers 11 plus papers download free 11 plus practice exams with all the papers past papers exam solutions mark schemes past exam papers for instant download ou students shop

**delia memorial school broadway 2021 2022 1st unified test papers** - Jul 03 2022

web duration of s3 unified test papers ut paper coverage subjects and papers duration coverage 1st term reading writing 100 1 hr 45 mins igcse vocabulary only a2 c4 d3 e2 e3 e5 unit 10 duration of s4 unified test papers ut paper coverage subjects and papers duration coverage 1st term writing 55 1 hr 5 mins

*b291 past exam papers open university pdf free tax clone ortax* - Aug 04 2022

web b291 past exam papers open university pdf introduction b291 past exam papers open university pdf free

b291 financial accounting open university digital archive - Oct 18 2023

web b291 2017d start date 01 apr 17 end date 30 sep 17 22 weeks presentation b291 2011e start date 01 may 11 end date 31 oct 11 25 weeks presentation b291 2012e start date 01 may 12 end date 31 oct 12 26 weeks presentation b291 2013e start date 01 may 13 end date 31 oct 13 26 weeks presentation b291 2010k start date

*read book b291 past exam papers open university pdf for* - Mar 11 2023

web particularly to provide papers appropriate to the study of the open university course t292 instrumentation the papers have been chosen so that the book covers a wide spectrum of instrumentation techniques

b291 past exam papers open university joan loughrey 2023 - May 01 2022

web b291 past exam papers open university below guide to microforms in print 1998 kant and the foundations of analytic philosophy robert hanna 2001 01 04 robert hanna presents a fresh view of the kantian and analytic traditions that have dominated continental european and anglo american philosophy over the last two

la piramide di fango trama cast e streaming il commissario montalbano - Mar 01 2023

web dec 1 2020 abbiamo visto la trama dell episodio la piramide di fango de il commissario montalbano ma qual è il cast completo di seguito tutti gli attori con i rispettivi ruoli luca zingaretti

la piramide di fango worldcat org - Jan 31 2023

web summary sono giorni di pioggia a vigàta quegli acquazzoni violenti e persistenti che non danno requie fiumane d u2019 acqua scatenata che travolgono case e terreni lasciando dietro di sé un mare di fango È in una di queste giornate che un uomo giugìu nicotra viene trovato morto in un cantiere mezzo nudo colpito da un proiettile alle

**andrea camilleri presenta la piramide di fango youtube** - Aug 26 2022

web andrea camilleri presenta la piramide di fango silvia andretti 405 subscribers subscribe 3 3k views 8 years ago 6 giugno 2014 andrea camilleri a palermo per la manifestazione una

**detective montalbano season 10 imdb** - Dec 30 2022

web season 10 s10 ep1 29 feb 2016 una faccenda delicata 7 5 193 rate montalbano must cut short his holiday with livia when a sixty seven year old prostitute is murdered in vigata add image s10 ep2

*il commissario montalbano la piramide di fango* mymovies it - Jun 04 2023

web il commissario montalbano la piramide di fango un film di alberto sironi con luca zingaretti cesare bocci peppino mazzotta angelo russo teresa mannino giallo italia 2016 durata 100 min

**montalbano la piramide di fango cast attori personaggi** - Sep 26 2022

web may 23 2019 montalbano la piramide di fango cast il commissario montalbano ha il volto di luca zingaretti e giovedì 23 maggio 2019 tornano entrambi in prima serata su rai 1 per la messa in onda della

**la piramide di fango camilleri andrea amazon com tr** - Sep 07 2023

web la piramide di fango camilleri andrea amazon com tr Çerez tercihlerinizi seçin Çerez bildirimimizde detaylandırıldığı üzere satın alım yapmanızı sağlamak alışveriş deneyiminizi geliştirmek ve hizmetlerimizi sunmak için gerekli olan çerezleri ve

**detective montalbano la piramide di fango tv episode 2016 imdb** - Jul 05 2023

web mar 7 2016 la piramide di fango directed by alberto sironi with luca zingaretti cesare bocci peppino mazzotta angelo russo a man shot in the back and found dead in a water pipe is the start for a complicated case for the inspector

litfiba istanbul şarkı sözleri tr lyrics translate - Apr 21 2022

web se ne stava solo là il mio volto nel fango istanbul istanbul istanbul istanbul hallo istanbul ripetizioni teşekkür et strade di turchia tarafından 2016 10 17 tarihinde eklendi coopysnoopy tarafından en son 2016 10 18 tarihinde düzenlendi telif hakkı

la piramide di fango facebook - Mar 21 2022

web book 49 people like this topic

**la piramide di fango trama e anteprima del libro libri news** - Nov 28 2022

web sep 3 2020 la piramide di fango trama del libro si sono aperte le cateratte del cielo i tuoni erompono con fragore nel generale ottenebramento e sotto la pioggia implacabile tutto si impantana e smotta il fango monta e dilaga è una coltre di spento grigiore sulle lesioni e sulle frane

il commissario montalbano la piramide di fango film 2016 - Aug 06 2023

web il commissario montalbano la piramide di fango è un film di genere giallo del 2016 diretto da alberto sironi con luca zingaretti e cesare bocci durata 105 minuti distribuito da rai

**andrea camilleri la piramide di fango 2014 italien** - May 03 2023

web oct 30 2014 scheda di lettura del romanzo la piramide di fango di andrea camilleri pubblicato nel 2014 da sellerio andrea camilleri la piramide di fango 2014 italien le portail en langues étrangères

**la piramide di fango anna s archive** - Jul 25 2022

web il fango monta e dilaga è una coltre di spento grigiore sulle lesioni e sulle frane la brutalità della natura si vendica della politica dei governi corrotti che non si curano del rispetto geologico e assicurano appalti e franchigie alle

**la piramide di fango trama e cast tv sorrisi e canzoni** - Apr 02 2023

web dec 1 2020 il 3 dicembre 2020 in prima serata su raiuno un nuovo appuntamento con le repliche della fiction il commissario montalbano con luca zingaretti tratta dai romanzi di andrea camilleri

*il commissario montalbano se10ep2 la piramide di fango* - Oct 28 2022

web il commissario montalbano se10ep2 la piramide di fango full episodeclick here soo gd bmm1 il commissario montalbano se10ep2 la piramide di

*litfiba istanbul lyrics* - Feb 17 2022

web oct 18 2016 russia is waging a disgraceful war on ukraine stand with ukraine how you can support ukraine lt italian english french litfiba istanbul

la piramide di fango von andrea camilleri rezension bücher - May 23 2022

web die verflechtungen die salvo enthüllt haben vigàta die provinz montelusa sizilien und wie montalbano selber spekuliert ganz italien wie ein pilzgewebe durchzogen und das motiv des mo rasts der die ganze gegend versinken lässt ist auf allen bildebeneen perfekt gestaltet il fango della corru zione delle mazzette dei finti

*la piramide di fango wikipedia* - Oct 08 2023

web la piramide di fango è un romanzo di andrea camilleri pubblicato nel 2014 dalla casa editrice sellerio di palermo che ha come protagonista il commissario di polizia siciliano salvo montalbano trama il commissario montalbano si

*la piramide di fango andrea camilleri google books* - Jun 23 2022

web sellerio 2014 fiction 261 pages si sono aperte le cateratte del cielo i tuoni erompono con fragore nel generale ottenebramento e sotto la pioggia implacabile tutto si impantana e