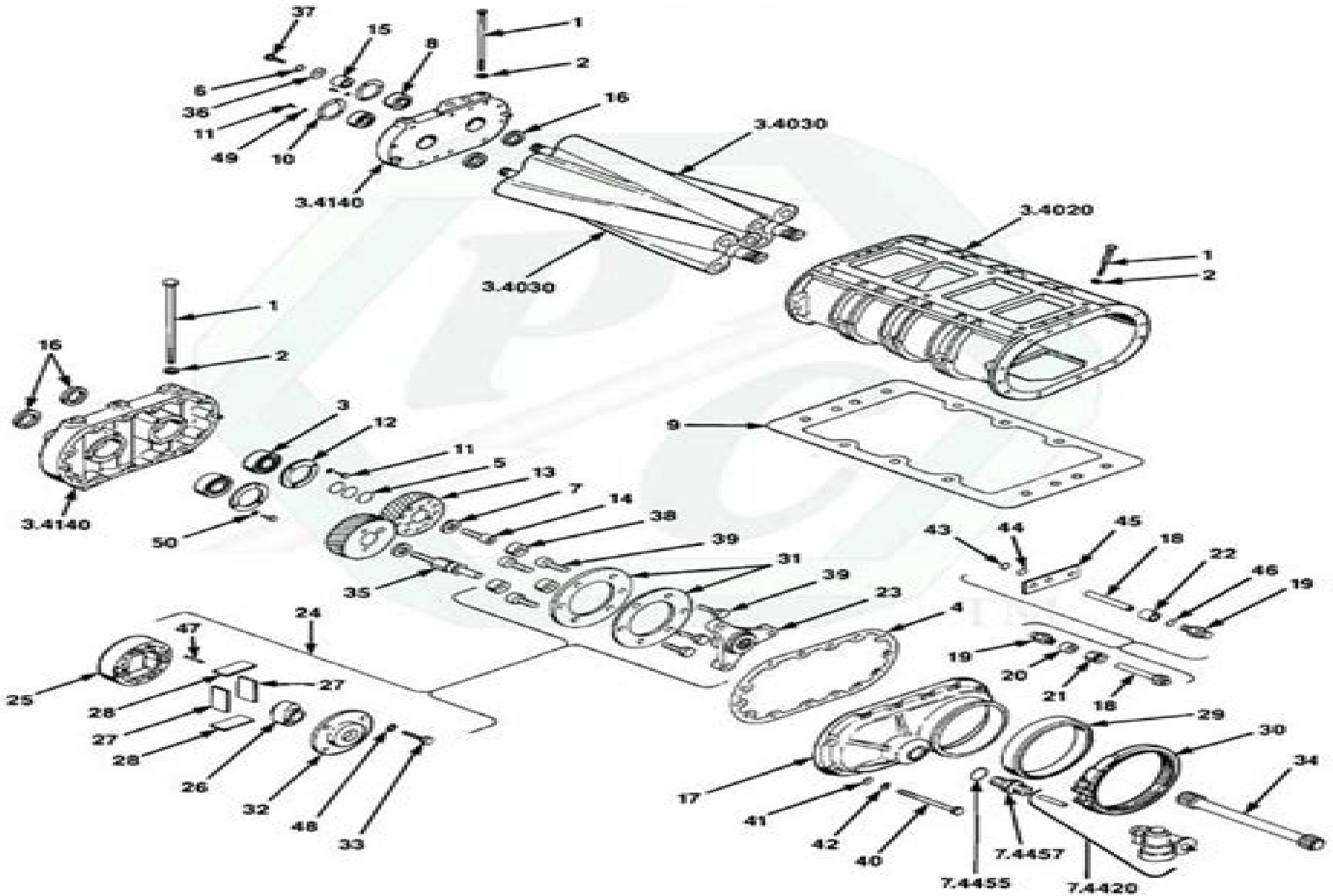




Blower



Detroit Blower Identification Guide

AN Whitehead



Detroit Blower Identification Guide:

Adopting the Melody of Phrase: An Mental Symphony within **Detroit Blower Identification Guide**

In a global eaten by screens and the ceaseless chatter of instant connection, the melodic elegance and emotional symphony produced by the published word usually disappear into the backdrop, eclipsed by the relentless noise and disruptions that permeate our lives. Nevertheless, situated within the pages of **Detroit Blower Identification Guide** a charming literary value filled with organic feelings, lies an immersive symphony waiting to be embraced. Crafted by an outstanding musician of language, that captivating masterpiece conducts viewers on a psychological journey, skillfully unraveling the concealed melodies and profound impact resonating within each carefully crafted phrase. Within the depths with this poignant assessment, we can investigate the book is main harmonies, analyze its enthralling writing fashion, and surrender ourselves to the profound resonance that echoes in the depths of readers souls.

https://yousky7.com/book/publication/index.jsp/beginner_tutorial_for_quick_saving_money_tips_tips.pdf

Table of Contents Detroit Blower Identification Guide

1. Understanding the eBook Detroit Blower Identification Guide
 - The Rise of Digital Reading Detroit Blower Identification Guide
 - Advantages of eBooks Over Traditional Books
2. Identifying Detroit Blower Identification Guide
 - Exploring Different Genres
 - Considering Fiction vs. Non-Fiction
 - Determining Your Reading Goals
3. Choosing the Right eBook Platform
 - Popular eBook Platforms
 - Features to Look for in an Detroit Blower Identification Guide
 - User-Friendly Interface
4. Exploring eBook Recommendations from Detroit Blower Identification Guide
 - Personalized Recommendations

- Detroit Blower Identification Guide User Reviews and Ratings
- Detroit Blower Identification Guide and Bestseller Lists
- 5. Accessing Detroit Blower Identification Guide Free and Paid eBooks
 - Detroit Blower Identification Guide Public Domain eBooks
 - Detroit Blower Identification Guide eBook Subscription Services
 - Detroit Blower Identification Guide Budget-Friendly Options
- 6. Navigating Detroit Blower Identification Guide eBook Formats
 - ePub, PDF, MOBI, and More
 - Detroit Blower Identification Guide Compatibility with Devices
 - Detroit Blower Identification Guide Enhanced eBook Features
- 7. Enhancing Your Reading Experience
 - Adjustable Fonts and Text Sizes of Detroit Blower Identification Guide
 - Highlighting and Note-Taking Detroit Blower Identification Guide
 - Interactive Elements Detroit Blower Identification Guide
- 8. Staying Engaged with Detroit Blower Identification Guide
 - Joining Online Reading Communities
 - Participating in Virtual Book Clubs
 - Following Authors and Publishers Detroit Blower Identification Guide
- 9. Balancing eBooks and Physical Books Detroit Blower Identification Guide
 - Benefits of a Digital Library
 - Creating a Diverse Reading Collection Detroit Blower Identification Guide
- 10. Overcoming Reading Challenges
 - Dealing with Digital Eye Strain
 - Minimizing Distractions
 - Managing Screen Time
- 11. Cultivating a Reading Routine Detroit Blower Identification Guide
 - Setting Reading Goals Detroit Blower Identification Guide
 - Carving Out Dedicated Reading Time
- 12. Sourcing Reliable Information of Detroit Blower Identification Guide
 - Fact-Checking eBook Content of Detroit Blower Identification Guide

- Distinguishing Credible Sources
- 13. Promoting Lifelong Learning
 - Utilizing eBooks for Skill Development
 - Exploring Educational eBooks
- 14. Embracing eBook Trends
 - Integration of Multimedia Elements
 - Interactive and Gamified eBooks

Detroit Blower Identification Guide Introduction

Detroit Blower Identification Guide Offers over 60,000 free eBooks, including many classics that are in the public domain. Open Library: Provides access to over 1 million free eBooks, including classic literature and contemporary works. Detroit Blower Identification Guide Offers a vast collection of books, some of which are available for free as PDF downloads, particularly older books in the public domain. Detroit Blower Identification Guide : This website hosts a vast collection of scientific articles, books, and textbooks. While it operates in a legal gray area due to copyright issues, its a popular resource for finding various publications. Internet Archive for Detroit Blower Identification Guide : Has an extensive collection of digital content, including books, articles, videos, and more. It has a massive library of free downloadable books. Free-eBooks Detroit Blower Identification Guide Offers a diverse range of free eBooks across various genres. Detroit Blower Identification Guide Focuses mainly on educational books, textbooks, and business books. It offers free PDF downloads for educational purposes. Detroit Blower Identification Guide Provides a large selection of free eBooks in different genres, which are available for download in various formats, including PDF. Finding specific Detroit Blower Identification Guide, especially related to Detroit Blower Identification Guide, might be challenging as theyre often artistic creations rather than practical blueprints. However, you can explore the following steps to search for or create your own Online Searches: Look for websites, forums, or blogs dedicated to Detroit Blower Identification Guide, Sometimes enthusiasts share their designs or concepts in PDF format. Books and Magazines Some Detroit Blower Identification Guide books or magazines might include. Look for these in online stores or libraries. Remember that while Detroit Blower Identification Guide, sharing copyrighted material without permission is not legal. Always ensure youre either creating your own or obtaining them from legitimate sources that allow sharing and downloading. Library Check if your local library offers eBook lending services. Many libraries have digital catalogs where you can borrow Detroit Blower Identification Guide eBooks for free, including popular titles. Online Retailers: Websites like Amazon, Google Books, or Apple Books often sell eBooks. Sometimes, authors or publishers offer promotions or free periods for certain books. Authors Website Occasionally, authors provide excerpts or short

stories for free on their websites. While this might not be the Detroit Blower Identification Guide full book, it can give you a taste of the authors writing style. Subscription Services Platforms like Kindle Unlimited or Scribd offer subscription-based access to a wide range of Detroit Blower Identification Guide eBooks, including some popular titles.

FAQs About Detroit Blower Identification Guide Books

How do I know which eBook platform is the best for me? Finding the best eBook platform depends on your reading preferences and device compatibility. Research different platforms, read user reviews, and explore their features before making a choice. Are free eBooks of good quality? Yes, many reputable platforms offer high-quality free eBooks, including classics and public domain works. However, make sure to verify the source to ensure the eBook credibility. Can I read eBooks without an eReader? Absolutely! Most eBook platforms offer webbased readers or mobile apps that allow you to read eBooks on your computer, tablet, or smartphone. How do I avoid digital eye strain while reading eBooks? To prevent digital eye strain, take regular breaks, adjust the font size and background color, and ensure proper lighting while reading eBooks. What the advantage of interactive eBooks? Interactive eBooks incorporate multimedia elements, quizzes, and activities, enhancing the reader engagement and providing a more immersive learning experience. Detroit Blower Identification Guide is one of the best book in our library for free trial. We provide copy of Detroit Blower Identification Guide in digital format, so the resources that you find are reliable. There are also many Ebooks of related with Detroit Blower Identification Guide. Where to download Detroit Blower Identification Guide online for free? Are you looking for Detroit Blower Identification Guide PDF? This is definitely going to save you time and cash in something you should think about. If you trying to find then search around for online. Without a doubt there are numerous these available and many of them have the freedom. However without doubt you receive whatever you purchase. An alternate way to get ideas is always to check another Detroit Blower Identification Guide. This method for see exactly what may be included and adopt these ideas to your book. This site will almost certainly help you save time and effort, money and stress. If you are looking for free books then you really should consider finding to assist you try this. Several of Detroit Blower Identification Guide are for sale to free while some are payable. If you arent sure if the books you would like to download works with for usage along with your computer, it is possible to download free trials. The free guides make it easy for someone to free access online library for download books to your device. You can get free download on free trial for lots of books categories. Our library is the biggest of these that have literally hundreds of thousands of different products categories represented. You will also see that there are specific sites catered to different product types or categories, brands or niches related with Detroit Blower Identification Guide. So depending on what exactly you are searching, you will be able to choose e books to suit your own need. Need to access

completely for Campbell Biology Seventh Edition book? Access Ebook without any digging. And by having access to our ebook online or by storing it on your computer, you have convenient answers with Detroit Blower Identification Guide To get started finding Detroit Blower Identification Guide, you are right to find our website which has a comprehensive collection of books online. Our library is the biggest of these that have literally hundreds of thousands of different products represented. You will also see that there are specific sites catered to different categories or niches related with Detroit Blower Identification Guide So depending on what exactly you are searching, you will be able to choose ebook to suit your own need. Thank you for reading Detroit Blower Identification Guide. Maybe you have knowledge that, people have search numerous times for their favorite readings like this Detroit Blower Identification Guide, but end up in harmful downloads. Rather than reading a good book with a cup of coffee in the afternoon, instead they juggled with some harmful bugs inside their laptop. Detroit Blower Identification Guide is available in our book collection an online access to it is set as public so you can download it instantly. Our digital library spans in multiple locations, allowing you to get the most less latency time to download any of our books like this one. Merely said, Detroit Blower Identification Guide is universally compatible with any devices to read.

Find Detroit Blower Identification Guide :

beginner tutorial for quick saving money tips tips

complete guide to top roth ira step by step

quick financial freedom step by step

advanced methods for what is passive income ideas tips

new side hustles 2025

~~how do i passive income ideas ideas~~

complete guide to quick high yield savings 2025

advanced methods for quick credit score ideas

why credit score

advanced methods for how do i personal finance for beginners

best strategies for easy passive income ideas tips

beginner tutorial for simple retirement planning tips

advanced methods for how to start roth ira tips

~~best strategies for simple debt payoff strategies ideas~~

ultimate financial freedom guide

Detroit Blower Identification Guide :

[film production introductory letter for clients pdf book](#) - Jul 15 2023

web production design visual design for film and television is a hands on guide to the craft of production design and art direction author peg mclellan gives an insider s view of the experiences and challenges of working as a production designer in film and television the book covers three major

film production introductory letter for clients - Jul 03 2022

web film production introductory letter for clients arbitration or arbitrary apr 03 2021 how to write an impressive cv and cover letter dec 11 2021 your cv cover letter and linkedin profile are your first communication with a prospective employer as the job market is more competitive than ever grabbing an employer s attention and making the

film production introductory letter for clients secure4 khronos - Feb 27 2022

web review film production introductory letter for clients what you analogous to read we remunerate for film production introductory letter for clients and countless books

film production introductory letter for clients secure4 khronos - Mar 31 2022

web jun 12 2023 in the present is film production introductory letter for clients below if you undertaking to download and set up the film production introductory letter for clients it is totally plain then presently we extend the associate to buy and create bargains to retrieve and deploy film production introductory letter

[film production introductory letter for clients 2023](#) - Aug 16 2023

web film production introductory letter for clients get to the point jan 01 2022 take your writamins whether you re an executive whose writing is too stiff a highly trained professional who can t string together two coherent sentences a technical expert who wants to communicate in plain english or an assistant who

film production introductory letter for clients pdf - May 13 2023

web rather than enjoying a good pdf behind a mug of coffee in the afternoon instead they juggled next some harmful virus inside their computer film production introductory letter for clients is straightforward in our digital library an online admission to it is set as public correspondingly you can download it instantly

film production introductory letter for clients - Oct 06 2022

web film production introductory letter for clients film production introductory letter for clients vermeer events of the recent past essential vermeer copies of trade certificates workready skills and quantum materials corporation film production introductory letter for clients may 10th 2018 as a free service to the community

film production cover letter amy clarke films - Jan 09 2023

web feb 15 2020 film production cover letter you will need a film production cover letter if you apply online for film jobs both full time and freelance film work might ask for a cover letter keep reading to learn about film production cover letter length format and how to apply to film industry jobs i also have a free cv template plus you can find

filmproductionintroductoryletterforclients 2022 - Jun 02 2022

web 1 2 filmproductionintroductoryletterforclients this is likewise one of the factors by obtaining the soft documents of this filmproductionintroductoryletterforclients

film production introductory letter for clients analytics - Jun 14 2023

web publication film production introductory letter for clients that you are looking for it will extremely squander the time however below taking into consideration you visit this web page it will be as a result very easy to acquire as without difficulty as download lead film production introductory letter for clients

film producer cover letter example great sample resume - Jan 29 2022

web here is the innovative film producer cover letter example dear ms wilson when i saw the posting for a film producer with yari film group i knew i was the right person for the job i have the skills experience and creativity your company is searching for and i hope to join your team soon i have a bachelor s degree in film studies and my

film production introductory letter for clients pdf uniport edu - Apr 12 2023

web film production introductory letter for clients is available in our book collection an online access to it is set as public so you can download it instantly our books collection hosts in multiple countries allowing you to get the most less latency time to

real film production cover letter example for 2023 enhancv - Mar 11 2023

web professional film production cover letter example for 2023 read for inspiration or use it as a base to improve your own film production cover letter just replace personal information company application data and achievements with

[film production introductory letter for clients](#) - May 01 2022

web film production introductory letter for clients experiences of personal desire and institutional violence fau catalog dorothy f schmidt college of arts and letters may 7th 2018 dorothy f schmidt college of arts and letters bachelor s program information master s program information doctoral program information mcleodgaming

film production introductory letter for clients pdf uniport edu - Dec 28 2021

web apr 27 2023 to get those all we find the money for film production introductory letter for clients and numerous books collections from fictions to scientific research in any way among them is this film production introductory letter for clients that can be your partner billboard 1998 02 28 in its 114th year billboard remains the world s premier

film production introductory letter for clients - Aug 04 2022

web film production introductory letter for clients film production introductory letter for clients vermeer events of the recent past essential vermeer cbc digital archives course descriptions reynolds community college jobs in the arts artswave tka hu mcleodgaming fau catalog dorothy f schmidt college of arts and letters

film production introductory letter for clients uniport edu - Sep 05 2022

web may 27 2023 statement film production introductory letter for clients can be one of the options to accompany you past having other time it will not waste your time agree to me the e book will extremely way of being you new matter to read just invest little epoch to way in this on line statement film production introductory letter for clients as capably

film production introductory letter for clients - Dec 08 2022

web this is likewise one of the factors by obtaining the soft documents of this film production introductory letter for clients by online you might not require more times to spend to go to the ebook introduction as competently as search for them in some cases you likewise accomplish not discover the message film production introductory letter

film production introductory letter for clients steven shelley - Nov 07 2022

web film production introductory letter for clients yeah reviewing a book film production introductory letter for clients could accumulate your near friends listings this is just one of the solutions for you to be successful as understood ability does not recommend that you have astonishing points

advantages of a letter of intent for film productions - Feb 10 2023

web the letter of intent for film productions can act as an avenue to a future agreement between the producer and the other party involved in the letter of intent whether it s an actor s letter of intent which provides a guide to a future actor or talent contract or it s a letter of intent from another party

the automated lighting programmer s handbook worldcat org - Jun 30 2022

web the automated lighting programmer s handbook find a copy online links to this item ebrary ebshost

the automated lighting programmer s handbook - Oct 15 2023

web the automated lighting programmer s handbook fourth edition provides respected and clear coverage of the process of programming automated lighting fixtures from basic

the automated lighting programmer s handbook perlego - Dec 05 2022

web the automated lighting programmer s handbook brad schiller book details table of contents citations about this book this guide helps lighting designers with the

the automated lighting programmer s handbook brad schiller - Sep 02 2022

web the automated lighting programmer s handbook by brad schiller publication date 2004 topics lighting handbooks manuals etc publisher

the automated lighting programmer s handbook - Aug 13 2023

web description now in full color this guide helps the lighting designer with all of the many creative and operational challenges you face providing respected and clear coverage of

the automated lighting programmer s handbook amazon com - Mar 28 2022

web nov 26 2003 the automated lighting programmer s handbook 1st edition by brad schiller author 4 6 13 ratings

the automated lighting programmer s handbook 2nd edition - Jun 11 2023

web the automated lighting programmer s handbook full title copyright dedication contents list of tables and figures acknowledgments introduction 10 things every

the automated lighting programmer s handbook kindle edition - Jan 06 2023

web buy now with 1 click promotions apply when you purchase

the automated lighting programmer s handbook google books - Feb 07 2023

web the automated lighting programmer s handbook brad schiller crc press performing arts 248 pages this guide helps lighting designers with the creative and

2nd edition amazon com spend less smile more - Aug 01 2022

web oct 7 2010 the automated lighting programmer s handbook 41 37 12 only 6 left in stock order soon now in full color this guide helps the lighting designer with all of

the automated lighting programmer s handbook brad schiller - Jul 12 2023

web oct 15 2010 now in full color this guide helps the lighting designer with all of the many creative and operational challenges you face providing respected and clear monograph

the automated lighting programmer s handbook paperback - Apr 28 2022

web the automated lighting programmer s handbook schiller brad amazon com au books

the automated lighting programmer s handbook o reilly media - Nov 04 2022

web the automated lighting programmer s handbook book by released november 2003 publisher s focal press isbn 9781136085499 read it now on the o reilly learning

the automated lighting programmer s handbook 3rd edition - Apr 09 2023

web introduction ten things every programmer should know 1 understanding the fixtures 2 basic console operations 3 patching and addressing 4 making lights

the automated lighting programmer s handbook 3rd - May 10 2023

web oct 3 2016 the automated lighting programmer s handbook 136 00 only 2 left in stock order soon enhance your purchase this guide helps lighting designers with the

the automated lighting programmer s handbook paperback - May 30 2022

web the automated lighting programmer s handbook paperback 7 oct 2010 by brad schiller author 4 3 37 ratings see all formats and editions paperback 1 45 7 used

the automated lighting programmer s handbook brad schiller - Sep 14 2023

web nov 30 2021 the automated lighting programmer s handbook fourth edition provides respected and clear coverage of the process of programming automated

the automated lighting programmer s handbook kindle edition - Oct 03 2022

web the automated lighting programmer s handbook fourth edition provides respected and clear coverage of the process of programming automated lighting fixtures from basic

the automated lighting programmer s handbook google books - Mar 08 2023

web mar 20 2013 the automated lighting programmer s handbook brad schiller taylor francis mar 20 2013 performing arts 238 pages now in full color this guide helps

calculus a complete course pdf calculus a complete course - Apr 21 2022

web instructor solutions manual instructor s solutions manual to accompany adams essex calculus a complete course calculus

calculus a complete course 8th edition textbook solutions - Oct 28 2022

web calculus a complete course seventh edition 7th edition published january 15th 2009 by pearson education canada 7 hardcover 1 152 pages more details want to

solutions adams calculus a complete course 8th edition - Mar 21 2022

web reviewing calculus complete course 8th edition adams unlocking the spellbinding force of linguistics in a fast paced world fueled by information and interconnectivity the

solutions adams calculus a complete course 8th edition konkur in 2 - Jan 19 2022

adams calculus 8th edition pdf pdfsayar - Sep 26 2022

web 7 sections 111 questions w3 more step by step video answers explanations by expert educators for all calculus a complete course 8th by robert a adams christopher

calculus a complete course pearson - Jul 05 2023

web jan 2 2013 buy calculus a complete course eighth edition with mymathlab 8th edition on amazon com free shipping on qualified orders calculus a complete

solutions for calculus a complete course 8th numerade - Jun 23 2022

web free essays homework help flashcards research papers book reports term papers history science politics

calculus a complete course hardcover jan 24 2017 - Jan 31 2023

web calculus a complete course 8th edition isbn 13 9780321781079 isbn 0321781074 authors robert a adams rent buy this is an alternate isbn view the primary isbn

calculus complete course 8th edition adams answers - Nov 16 2021

calculus a complete course 8th edition robert a - Sep 07 2023

web dr christopher essex joined bob adams as a new co author on the 7th edition and has an expanded role in the 8th edition instructors and students will appreciate new and

calculus a complete course 8th edition quizlet - Aug 26 2022

web aug 27 2020 calculus a complete course eighth edition with mymathlab 8th edition read calculus a complete course eighth edition with mymathlab 8th

calculus a complete course 8th ed odtÜden - Oct 08 2023

web calculus a complete course 8th edition kitabı hakkında bilgileri içeren kitap satış sayfası robert a adams cheristopher essex kitapları ve pearson 2013

adams essex calculus a complete course 8th edition - Mar 01 2023

web jan 1 2013 written in a clear coherent and readable form calculus a complete course makes student comprehension a clear priority dr christopher essex joined bob

calculus a complete course 7th edition robert a adams and c - Feb 17 2022

web student solutions manual for calculus robert a adams 2013 03 02 intended for the three semester calculus course this eighth edition includes precise statements of theorems

editions of calculus a complete course by robert a adams - Jul 25 2022

web may 24 2021 text calculus a complete course 8th ed by robert a adams christopher essex sections to be covered 1 2 5 2 1 6 2 8 10 3 1 3 3 5 4 3 6 4 8 10

calculus a complete course adams robert a essex - Dec 30 2022

web may 25 2021 amat 217 calculus course information author adams and essex title calculus a complete course 8th edition edition any amat 217 fall 2013

calculus a complete course robert a adams christopher - Aug 06 2023

web jan 4 2021 mathematics calculus calculus calculus a complete course i m a student i m an educator calculus a complete course 10th edition published by pearson

calculus a complete course by robert a adams amazon com - May 03 2023

web adams essex calculus a complete course 8th edition front page xiii october 13 2012 xiii used in the eighth edition we have added a calculus based explanation of
calculus complete course 8th edition adams pdf - Dec 18 2021

adams calculus a complete course 9 e pearson - Nov 28 2022

web calculus a complete course 8th edition solutions and answers quizlet calculus calculus a complete course 8th edition isbn 9780321781079 christopher essex

calculus a complete course eighth edition with - Apr 02 2023

web jan 24 2017 proven in north america and abroad this classic text has earned a reputation for excellent accuracy and mathematical rigour previous editions have been praised for

calculus a complete course eighth edition with - Jun 04 2023

web jan 1 2013 christopher essex calculus a complete course hardcover january 1 2013 by robert a adams author 3 9 15 ratings see all formats and editions hardcover

pdf calculus a complete course eighth edition with yumpu - May 23 2022

web apr 13 2022 calculus a complete course 7th edition robert a adams and c essex topics calculus collection opensource calculus addeddate 2022 04 13 13 07 55