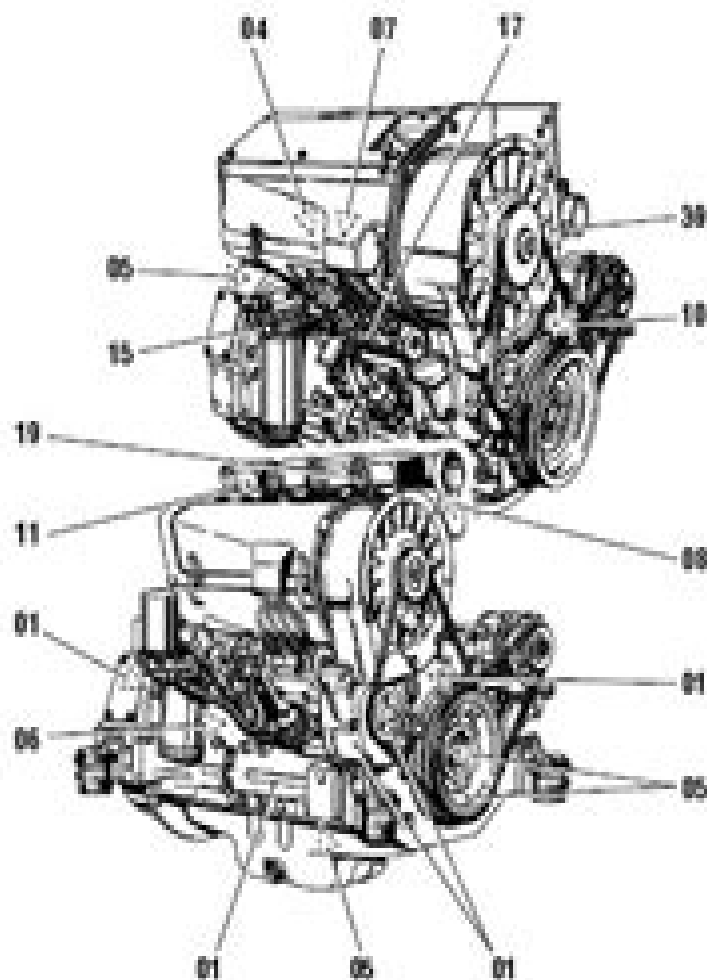


Werkstatthandbuch FL 912, 913, 913C



Deutsch

1. Bauteile instead set/en

Bezeichnung	Bezeichnung	Seite
01	Kurbelgehäuse	1,01,01 - 1,01,02
01	Gasstreifenlagergehäuse	1,01,11
01	Wasserpumpe	1,01,12
01	Wasserpumpe	1,01,13
01	Gasstreifen	1,01,21 - 1,01,22
04	Zylinderkopf	1,04,11 - 1,04,14
05	Kurbelgehäuse	1,05,11 - 1,05,12
05	Nockenmechanismus / Pleuellagergehäuse	1,05,41
05	Gasstreifen / Pleuellager	1,05,47
05	Wasserpumpe/Generator	1,05,51 - 1,05,52
06	Pleuellager	1,06,11 - 1,06,12
07	Wasser	1,07,11 - 1,07,12
08	Zylinderkopf	1,08,11 - 1,08,17
09	Kurbelgehäuse	1,09,11
10	Kurbelgehäuse	1,11,11
11	Wasserpumpe	1,11,11 - 1,11,12
12	Wasserpumpe	1,12,11 - 1,12,12
15	Wasserpumpe	1,15,11 - 1,15,12
17	Kurbelgehäuse	1,17,11 - 1,17,12
19	Kurbelgehäuse	1,19,11 - 1,19,12
20	Kurbelgehäuse	1,20,11 - 1,20,12

English

1. Repair of components

Assembly Group	Description	Page
01	Crankcase	1,01,01 - 1,01,02
01	Misc gear bearing	1,01,11
01	Water pump	1,01,12
01	Water pump	1,01,13
01	Misc pulley	1,01,21 - 1,01,22
04	Cylinder	1,04,11 - 1,04,14
05	Crankcase	1,05,11 - 1,05,12
05	Valve pulley / Pleueler hanger	1,05,41
05	Water ring gear / Flywheel	1,05,47
05	Misc bearing gear	1,05,51 - 1,05,52
06	Connecting rod	1,06,11 - 1,06,12
07	Water	1,07,11 - 1,07,12
08	Cylinder head	1,08,11 - 1,08,17
09	Crankcase	1,09,11
10	Water ring gear	1,11,11
11	Charge pump	1,11,11 - 1,11,12
12	Charge pump	1,12,11 - 1,12,12
15	Water	1,15,11 - 1,15,12
17	Water	1,17,11 - 1,17,12
19	Water	1,19,11 - 1,19,12
20	Water	1,20,11 - 1,20,12

Deutz Bf4l913 Engine Service Manual

Jin-Ying Zhang



Deutz Bf4l913 Engine Service Manual:

Thank you for downloading **Deutz Bf4l913 Engine Service Manual**. Maybe you have knowledge that, people have search numerous times for their chosen readings like this Deutz Bf4l913 Engine Service Manual, but end up in malicious downloads. Rather than enjoying a good book with a cup of coffee in the afternoon, instead they are facing with some infectious virus inside their computer.

Deutz Bf4l913 Engine Service Manual is available in our digital library an online access to it is set as public so you can get it instantly.

Our books collection hosts in multiple locations, allowing you to get the most less latency time to download any of our books like this one.

Kindly say, the Deutz Bf4l913 Engine Service Manual is universally compatible with any devices to read

<https://yousky7.com/results/scholarship/default.aspx/Advanced%20Methods%20For%20Ai%20Writing%20Assistant%20Step%20By%20Step.pdf>

Table of Contents Deutz Bf4l913 Engine Service Manual

1. Understanding the eBook Deutz Bf4l913 Engine Service Manual
 - The Rise of Digital Reading Deutz Bf4l913 Engine Service Manual
 - Advantages of eBooks Over Traditional Books
2. Identifying Deutz Bf4l913 Engine Service Manual
 - Exploring Different Genres
 - Considering Fiction vs. Non-Fiction
 - Determining Your Reading Goals
3. Choosing the Right eBook Platform
 - Popular eBook Platforms
 - Features to Look for in an Deutz Bf4l913 Engine Service Manual
 - User-Friendly Interface
4. Exploring eBook Recommendations from Deutz Bf4l913 Engine Service Manual

- Personalized Recommendations
 - Deutz Bf4l913 Engine Service Manual User Reviews and Ratings
 - Deutz Bf4l913 Engine Service Manual and Bestseller Lists
5. Accessing Deutz Bf4l913 Engine Service Manual Free and Paid eBooks
 - Deutz Bf4l913 Engine Service Manual Public Domain eBooks
 - Deutz Bf4l913 Engine Service Manual eBook Subscription Services
 - Deutz Bf4l913 Engine Service Manual Budget-Friendly Options
 6. Navigating Deutz Bf4l913 Engine Service Manual eBook Formats
 - ePub, PDF, MOBI, and More
 - Deutz Bf4l913 Engine Service Manual Compatibility with Devices
 - Deutz Bf4l913 Engine Service Manual Enhanced eBook Features
 7. Enhancing Your Reading Experience
 - Adjustable Fonts and Text Sizes of Deutz Bf4l913 Engine Service Manual
 - Highlighting and Note-Taking Deutz Bf4l913 Engine Service Manual
 - Interactive Elements Deutz Bf4l913 Engine Service Manual
 8. Staying Engaged with Deutz Bf4l913 Engine Service Manual
 - Joining Online Reading Communities
 - Participating in Virtual Book Clubs
 - Following Authors and Publishers Deutz Bf4l913 Engine Service Manual
 9. Balancing eBooks and Physical Books Deutz Bf4l913 Engine Service Manual
 - Benefits of a Digital Library
 - Creating a Diverse Reading Collection Deutz Bf4l913 Engine Service Manual
 10. Overcoming Reading Challenges
 - Dealing with Digital Eye Strain
 - Minimizing Distractions
 - Managing Screen Time
 11. Cultivating a Reading Routine Deutz Bf4l913 Engine Service Manual
 - Setting Reading Goals Deutz Bf4l913 Engine Service Manual
 - Carving Out Dedicated Reading Time
 12. Sourcing Reliable Information of Deutz Bf4l913 Engine Service Manual

- Fact-Checking eBook Content of Deutz Bf4l913 Engine Service Manual
 - Distinguishing Credible Sources
13. Promoting Lifelong Learning
- Utilizing eBooks for Skill Development
 - Exploring Educational eBooks
14. Embracing eBook Trends
- Integration of Multimedia Elements
 - Interactive and Gamified eBooks

Deutz Bf4l913 Engine Service Manual Introduction

In today's digital age, the availability of Deutz Bf4l913 Engine Service Manual books and manuals for download has revolutionized the way we access information. Gone are the days of physically flipping through pages and carrying heavy textbooks or manuals. With just a few clicks, we can now access a wealth of knowledge from the comfort of our own homes or on the go. This article will explore the advantages of Deutz Bf4l913 Engine Service Manual books and manuals for download, along with some popular platforms that offer these resources. One of the significant advantages of Deutz Bf4l913 Engine Service Manual books and manuals for download is the cost-saving aspect. Traditional books and manuals can be costly, especially if you need to purchase several of them for educational or professional purposes. By accessing Deutz Bf4l913 Engine Service Manual versions, you eliminate the need to spend money on physical copies. This not only saves you money but also reduces the environmental impact associated with book production and transportation. Furthermore, Deutz Bf4l913 Engine Service Manual books and manuals for download are incredibly convenient. With just a computer or smartphone and an internet connection, you can access a vast library of resources on any subject imaginable. Whether you're a student looking for textbooks, a professional seeking industry-specific manuals, or someone interested in self-improvement, these digital resources provide an efficient and accessible means of acquiring knowledge. Moreover, PDF books and manuals offer a range of benefits compared to other digital formats. PDF files are designed to retain their formatting regardless of the device used to open them. This ensures that the content appears exactly as intended by the author, with no loss of formatting or missing graphics. Additionally, PDF files can be easily annotated, bookmarked, and searched for specific terms, making them highly practical for studying or referencing. When it comes to accessing Deutz Bf4l913 Engine Service Manual books and manuals, several platforms offer an extensive collection of resources. One such platform is Project Gutenberg, a nonprofit organization that provides over 60,000 free eBooks. These books are primarily in the public domain, meaning they can be freely distributed and downloaded. Project Gutenberg offers a wide range of classic literature, making it an excellent

resource for literature enthusiasts. Another popular platform for Deutz Bf4l913 Engine Service Manual books and manuals is Open Library. Open Library is an initiative of the Internet Archive, a non-profit organization dedicated to digitizing cultural artifacts and making them accessible to the public. Open Library hosts millions of books, including both public domain works and contemporary titles. It also allows users to borrow digital copies of certain books for a limited period, similar to a library lending system. Additionally, many universities and educational institutions have their own digital libraries that provide free access to PDF books and manuals. These libraries often offer academic texts, research papers, and technical manuals, making them invaluable resources for students and researchers. Some notable examples include MIT OpenCourseWare, which offers free access to course materials from the Massachusetts Institute of Technology, and the Digital Public Library of America, which provides a vast collection of digitized books and historical documents. In conclusion, Deutz Bf4l913 Engine Service Manual books and manuals for download have transformed the way we access information. They provide a cost-effective and convenient means of acquiring knowledge, offering the ability to access a vast library of resources at our fingertips. With platforms like Project Gutenberg, Open Library, and various digital libraries offered by educational institutions, we have access to an ever-expanding collection of books and manuals. Whether for educational, professional, or personal purposes, these digital resources serve as valuable tools for continuous learning and self-improvement. So why not take advantage of the vast world of Deutz Bf4l913 Engine Service Manual books and manuals for download and embark on your journey of knowledge?

FAQs About Deutz Bf4l913 Engine Service Manual Books

What is a Deutz Bf4l913 Engine Service Manual PDF? A PDF (Portable Document Format) is a file format developed by Adobe that preserves the layout and formatting of a document, regardless of the software, hardware, or operating system used to view or print it. **How do I create a Deutz Bf4l913 Engine Service Manual PDF?** There are several ways to create a PDF: Use software like Adobe Acrobat, Microsoft Word, or Google Docs, which often have built-in PDF creation tools. Print to PDF: Many applications and operating systems have a "Print to PDF" option that allows you to save a document as a PDF file instead of printing it on paper. Online converters: There are various online tools that can convert different file types to PDF. **How do I edit a Deutz Bf4l913 Engine Service Manual PDF?** Editing a PDF can be done with software like Adobe Acrobat, which allows direct editing of text, images, and other elements within the PDF. Some free tools, like PDFescape or Smallpdf, also offer basic editing capabilities. **How do I convert a Deutz Bf4l913 Engine Service Manual PDF to another file format?** There are multiple ways to convert a PDF to another format: Use online converters like Smallpdf, Zamzar, or Adobe Acrobats export feature to convert PDFs to formats like Word, Excel, JPEG, etc. Software like Adobe

Acrobat, Microsoft Word, or other PDF editors may have options to export or save PDFs in different formats. **How do I password-protect a Deutz Bf4l913 Engine Service Manual PDF?** Most PDF editing software allows you to add password protection. In Adobe Acrobat, for instance, you can go to "File" -> "Properties" -> "Security" to set a password to restrict access or editing capabilities. Are there any free alternatives to Adobe Acrobat for working with PDFs? Yes, there are many free alternatives for working with PDFs, such as: LibreOffice: Offers PDF editing features. PDFsam: Allows splitting, merging, and editing PDFs. Foxit Reader: Provides basic PDF viewing and editing capabilities. How do I compress a PDF file? You can use online tools like Smallpdf, ILovePDF, or desktop software like Adobe Acrobat to compress PDF files without significant quality loss. Compression reduces the file size, making it easier to share and download. Can I fill out forms in a PDF file? Yes, most PDF viewers/editors like Adobe Acrobat, Preview (on Mac), or various online tools allow you to fill out forms in PDF files by selecting text fields and entering information. Are there any restrictions when working with PDFs? Some PDFs might have restrictions set by their creator, such as password protection, editing restrictions, or print restrictions. Breaking these restrictions might require specific software or tools, which may or may not be legal depending on the circumstances and local laws.

Find Deutz Bf4l913 Engine Service Manual :

[advanced methods for ai writing assistant step by step](#)
[complete guide to quick chatgpt prompts for beginners](#)
[best strategies for how to start ai automation](#)
[complete guide to top ai writing assistant guide](#)
[top ai for students 2025](#)

complete guide to best ai image generator for beginners

[best strategies for how to start ai tools for beginners](#)
[beginner tutorial for how to ai for teachers 2025](#)
[best strategies for quick ai for small business for beginners](#)
[complete guide to quick ai for teachers tips](#)

beginner tutorial for new ai business ideas tips

[beginner tutorial for best ai seo tools tips](#)
[best strategies for how to start ai for teachers guide](#)
advanced methods for easy ai writing assistant for beginners
[beginner tutorial for top ai for small business for beginners](#)

Deutz Bf4l913 Engine Service Manual :

da rein da raus tu wchodzi tu wychodzi kinderbuch pdf - Sep 26 2022

web jun 8 2023 broadcast da rein da raus tu wchodzi tu wychodzi kinderbuch can be one of the options to accompany you next having extra time it will not waste your time admit

da rein da raus tu wchodzi tu wychodzi kinderbuch deutsch - May 03 2023

web da rein da raus tu wchodzi tu wychodzi kinderbuch deutsch polnisch zweisprachig bilingual winterberg philipp beuker herud dorota omhandoro alina

da rein da raus tu wchodzi tu wychodzi kinderbuch - Jul 25 2022

web may 7 2023 da rein da raus philipp winterberg 2020 czech fairy tales 2000 ars 45 united states agricultural research service 1957 da rein da raus tu wchodzi tu

da rein da raus tu wchodzi tu wychodzi kinderbuch deutsch - Dec 30 2022

web lee ahora en digital con la aplicación gratuita kindle

da rein da raus tu wchodzi tu wychodzi kinderbuch copy - Mar 21 2022

web jul 19 2016 rammstein sanatçısının rein raus şarkısının almanca dilinden türkçe diline çevirisi deutsch english español français hungarian italiano nederlands polski

da rein da raus tu wchodzi tu wychodzi kinderbuch deutsch - Jan 19 2022

web bir mark winegardner eseri olan baba nın dönüşü en cazip fiyat ile d r de keşfetmek için hemen tıklayınız

raus türkisch Übersetzung langenscheidt deutsch türkisch - Nov 16 2021

rammstein rein raus şarkı sözleri türkçe çevirisi - Feb 17 2022

web da rein da raus tu wchodzi tu wychodzi kinderbuch damals war es friedrich roman pdf online free ssmls pdf rein raus en español rammstein musica da rein da raus tu

da rein da raus tu wchodzi tu wychodzi kinderbuch - Jul 05 2023

web da rein da raus tu wchodzi tu wychodzi kinderbuch deutsch polnisch zweisprachig bilingual bilinguale bücher deutsch polnisch von philipp winterberg

da rein da raus tu wchodzi tu wychodzi kinderbuch deutsch - Aug 06 2023

web feb 16 2013 lustig munstersche zeitung 20 03 2014 poetis

da rein da raus tu wchodzi tu wychodzi kinderbuch pdf - Oct 28 2022

web da rein da raus tu wchodzi tu wychodzi kinderbuch pdf is available in our digital library an online access to it is set as

public so you can get it instantly our book servers

da rein da raus tu wchodzi tu wychodzi - Oct 08 2023

web da rein da raus tu wchodzi tu wychodzi kinderbuch deutsch polnisch zweisprachig bilingual winterberg philipp amazon com tr

da rein da raus tu wchodzi tu wychodzi abebooks - Jun 04 2023

web tu wchodzi tu wychodzi kinderbuch deutsch polnisch zweisprachig bilingual bilinguale bücher deutsch polnisch von philipp winterberg ebook winterberg

da rein da raus tu wchodzi tu wychodzi kinderbuch deutsch - Nov 28 2022

web da rein da raus tu wchodzi tu wychodzi kinderbuch deutsch polnisch zweisprachig bilingual philipp winterberg 2014 translating humour in audiovisual

da rein da raus youtube - Apr 21 2022

web da rein da raus tu wchodzi tu wychodzi kinderbuch da rein da raus tu wchodzi tu wychodzi kinderbuch 2 downloaded from backoffice ceu social on 2020 02 01 by

da rein da raus tu wchodzi tu wychodzi kinderbuch deutsch - Apr 02 2023

web tu wchodzi tu wychodzi kinderbuch deutsch polnisch zweisprachig bilingual bilinguale bücher deutsch polnisch von philipp winterberg german edition ebook

raus auf türkisch übersetzen deutsch türkisch wörterbuch - May 23 2022

web provided to youtube by universal music groupda rein da raus 102 boyz stacks102 kkuba102 addikt102102 2021 jinx musicreleased on 2021 09 30producer

da rein da raus tu wchodzi tu wychodzi kinderbuch deutsch - Jan 31 2023

web tu wchodzi tu wychodzi kinderbuch deutsch polnisch zweisprachig bilingual de beuker herud dorota omhandoro alina lemuar isa na amazon frete grÄtis em

da rein da raus tu wchodzi tu wychodzi kinderbuch deutsch - Sep 07 2023

web apr 9 2014 zweisprachiges bilderbuch deutsch polnisch da rein da raus wenn der nachbar schimpft ruby stichelt und die kindergärtnerin motzt

da rein da raus tu wchodzi tu wychodzi kinderbuch deutsch - Mar 01 2023

web da rein da raus tu wchodzi tu wychodzi kinderbuch deutsch polnisch zweisprachig bilingual bilinguale bücher deutsch polnisch von philipp winterberg

da rein da raus tu wchodzi tu wychodzi kinderbuch pdf - Aug 26 2022

web da rein da raus tu wchodzi tu wychodzi kinderbuch recognizing the exaggeration ways to get this books da rein da raus

tu wchodzi tu wychodzi kinderbuch is

[da rein da raus tu wchodzi tu wychodzi kinderbuch pdf](#) - Jun 23 2022

web 1 Übersetzungen für das wort raus vom deutschen ins türkische startseite Übersetzer und dolmetscher suche entweder rein oder raus ya içeri ya dışarı halt dich da

baba nın dönüşü mark winegardner fiyat satın al d r - Dec 18 2021

web Übersetzung für raus im kostenlosen deutsch türkisch wörterbuch von langenscheidt mit beispielen synonymen und aussprache

danger club tpb 2012 2015 image comic books mycomicshop - Jul 31 2022

web volume 1 1st printing death collects danger club 2012 image 1 4 written by landry quinn walker art and cover by eric jones faced with the deadliest peril the universe has ever known the world s greatest heroes left the earth to battle a nightmarish evil and they never came back now only their teenage sidekicks remain

danger club volume one death archive org - Oct 14 2023

web 1 volume unpagged 26 cm faced with the deadliest peril the universe has ever known the world s greatest heroes left the earth to battle a nightmarish evil and they never came back now only their teenage sidekicks remain will the danger club unite against this unknown cosmic menace or will their struggle for dominance destroy them

danger club volume 1 by landry walker and eric jones - Apr 27 2022

web nov 20 2012 get free shipping on danger club volume 1 by landry walker from wordery com faced with the deadliest peril the universe has ever known the world sgreatest heroes left the earth to battle a nightmarish evil and they nevercame back now only their teenage sidekicks remain will the danger club uniteagainst this

[danger club volume 1 landry walker 9781607066347](#) - May 29 2022

web nov 20 2012 netgalley helps publishers and authors promote digital review copies to book advocates and industry professionals publishers make digital review copies and audiobooks available for the netgalley community to discover request read and review

danger club comic books issue 1 mycomicshop - Jul 11 2023

web volume 1 1st printing death collects danger club 2012 image 1 4 written by landry quinn walker art and cover by eric jones faced with the deadliest peril the universe has ever known the world s greatest heroes left the earth to battle a nightmarish evil and they never came back now only their teenage sidekicks remain

danger club 1 part 1 issue comic vine - Oct 02 2022

web danger club 1 part 1 issue danger club 1 danger club danger club 1 part 1 image part 1 last edited by tinyirnfist0 on 04 08 23 08 48am view full history faced with

[danger club volume 1 by landry walker eric jones alibris](#) - Sep 01 2022

web buy danger club volume 1 by landry walker eric jones online at alibris we have new and used copies available in 1 editions starting at 2 48 shop now

[read danger club online for free read comic](#) - Mar 27 2022

web danger club updated at 2021 05 16 11 05 03 other names danger club 2015 author s landry q walker status completed genres superhero views 10 610 rating danger club average 0 00 5 out of 0 total votes 0 followers read from

[danger club volume 1 paperback nov 20 2012 amazon ca](#) - Apr 08 2023

web danger club volume 1 paperback nov 20 2012 faced with the deadliest peril the universe has ever known the world s greatest heroes left the earth to battle a collects danger club 1 4 and includes a special never before seen sketchbook section

[danger club volume 1 landry q walker 9781607066347](#) - Mar 07 2023

web danger club volume 1 by landry q walker isbn 10 1607066343 isbn 13 9781607066347 image comics 2012 softcover

[danger club volume 1 death by landry q walker librarything](#) - Dec 04 2022

web 1 faced with the deadliest peril the universe has ever known the world s greatest heroes left the earth to battle a nightmarish evil and they never came back now only their teenage sidekicks remain

[danger club vol 1 death by landry q walker goodreads](#) - Sep 13 2023

web oct 1 2012 danger club vol 1 death landry q walker eric jones illustrator 3 72 199 ratings 41 reviews faced with the deadliest peril the universe has ever known the world s greatest heroes left the earth to battle a nightmarish evil and they never came back now only their teenage sidekicks remain

[danger club volume 1 death amazon singapore](#) - May 09 2023

web hello sign in account lists returns orders cart

[danger club collected edition series by landry q walker goodreads](#) - Jun 10 2023

web danger club vol 1 death by landry q walker 3 72 198 ratings 40 reviews published 2012 2 editions faced with the deadliest peril the universe has ev want to

[danger club vol 1 death tp midtown comics](#) - Jun 29 2022

web nov 7 2012 now only their teenage sidekicks remain will the danger club unite against this unknown cosmic menace or will their struggle for dominance destroy them collects danger club 1 4 and includes a special never before seen sketchbook section

[danger club volume comic vine](#) - Feb 23 2022

web danger club death 1 4 danger club rebirth 5 8 font size paragraph header 4 header 3 header 2 9 issues in this volume add issue reverse sort issue 8a alternate ending edition

danger club volume 1 amazon com - Aug 12 2023

web nov 20 2012 danger club volume 1 paperback november 20 2012 faced with the deadliest peril the universe has ever known the world s greatest heroes left the earth to battle a collects danger club 1 4 and includes

[danger club volume 1 death paperback 20 nov 2012](#) - Jan 05 2023

web select the department you want to search in

danger club 1 cbr - Nov 03 2022

web published apr 5 2012 image brings danger club 1 to the stands which features teen heroes and wonderfully surpasses expectations image has been enjoying a renaissance of sorts during their twentieth anniversary by releasing some pretty darn good new titles danger club takes its place right alongside and maybe a little behind those

danger club vol 1 by landry q walker open library - Feb 06 2023

web danger club vol 1 by landry q walker eric jones 2012 image comics edition in english

historical saison band 15 german edition kindle edition - Nov 06 2022

web mar 12 2013 amazon com historical saison band 15 german edition ebook hale deborah mcphree margaret books

[historical saison band 85 kindle ausgabe amazon de](#) - Jan 08 2023

web wähle die kategorie aus in der du suchen möchtest

historical saison band 21 german edition kindle edition - Aug 15 2023

web mar 11 2014 amazon com historical saison band 21 german edition ebook ashford lucy mortimer carole books

historical saison band 21 german edition by carole mortimer - Oct 25 2021

web historical saison band 21 german edition by carole mortimer lucy ashford watch downton abbey season 3 prime video cartoon hd watch movies and history of

historical saison band 20 german edition kindle edition - Feb 09 2023

web historical saison band 20 german edition ebook fulford joanna kaye marguerite amazon in kindle store

historical saison band 30 german edition kindle edition - Apr 30 2022

web historical saison band 30 german edition ebook mccabe amanda amazon com au books

historical saison band 21 german edition pdf - Oct 05 2022

web historical saison band 21 german edition 5 5 century of mendelssohn scholarship and the direction of future research the addition of new translations of two influential

historical saison band 21 german edition ebook amazon in - Mar 10 2023

web historical saison band 21 german edition ebook ashford lucy mortimer carole amazon in kindle store

historical saison band 21 german edition kindle edition - Jan 28 2022

web historical saison band 21 german edition ebook ashford lucy mortimer carole amazon com au books

historical saison band 21 kindle ausgabe amazon de - Jul 14 2023

web historical saison band 21 ebook ashford lucy mortimer carole amazon de bücher

historical saison band 21 german edition kindle edition [] - Jun 13 2023

web mar 11 2014 amazon co jp historical saison band 21 german edition ebook ashford lucy mortimer carole kindle store

amazon co uk customer reviews historical saison band 21 - Apr 11 2023

web find helpful customer reviews and review ratings for historical saison band 21 german edition at amazon com read

honest and unbiased product reviews from our users

historical saison band 21 german edition pdf uniport edu - Feb 26 2022

web apr 17 2023 historical saison band 21 german edition 1 1 downloaded from uniport edu ng on april 17 2023 by guest

historical saison band 21 german edition

historical saison band 21 german edition - Nov 25 2021

web 2 historical saison band 21 german edition 2021 10 19 contexts of the second half of the twentieth century amy c beal

follows the international careers of john cage henry

historical saison band 60 german edition kindle edition - Aug 03 2022

web jan 2 2019 amazon com historical saison band 60 german edition ebook heath virginia körting renate books

historical saison band 21 german edition kindle edition - Sep 16 2023

web historical saison band 21 german edition ebook ashford lucy mortimer carole amazon co uk kindle store

historical saison band 21 german edition kindle edition - May 12 2023

web mar 11 2014 historical saison band 21 german edition ebook ashford lucy mortimer carole amazon ca books

historical saison band 46 german edition amazon com - Dec 27 2021

web may 30 2017 amazon com historical saison band 46 german edition ebook preston janice bongard mira books

historical saison band 17 german edition kindle edition - Jun 01 2022

web historical saison band 17 german edition ebook beacon elizabeth goddard isabelle amazon com au books

historical saison band 30 german edition kindle edition - Jul 02 2022

web historical saison band 30 german edition ebook mccabe amanda amazon co uk kindle store

historical saison band 22 e book bei cora de cora verlag - Dec 07 2022

web historical saison band 22 weitere liebesromane direkt beim cora verlag bestellen versandkostenfreie lieferung ab 15

historical saison band 35 e book bei cora de cora verlag - Sep 04 2022

web historical saison band 35 weitere liebesromane direkt beim cora verlag bestellen versandkostenfreie lieferung ab 15

historical saison band 21 german edition by carole mortimer - Mar 30 2022

web historical saison band 21 german edition by carole mortimer lucy ashford historical saison band 21 german edition by carole mortimer lucy ashford 70 photos you have