

NOTE: HEATER
COOLANT FLOW
CIRCUIT IS ALWAYS
OPEN EXCEPT
WHEN IN MAX. A/C
OR OFF MODES

SHUT OFF VALVE
A/C ONLY

COOLANT FLOW - PUMP TO
CYLINDER BLOCK, UP THROUGH
CYLINDER HEADS TO INTAKE
MANIFOLD WATER BOX TO
RADIATOR - TO PUMP

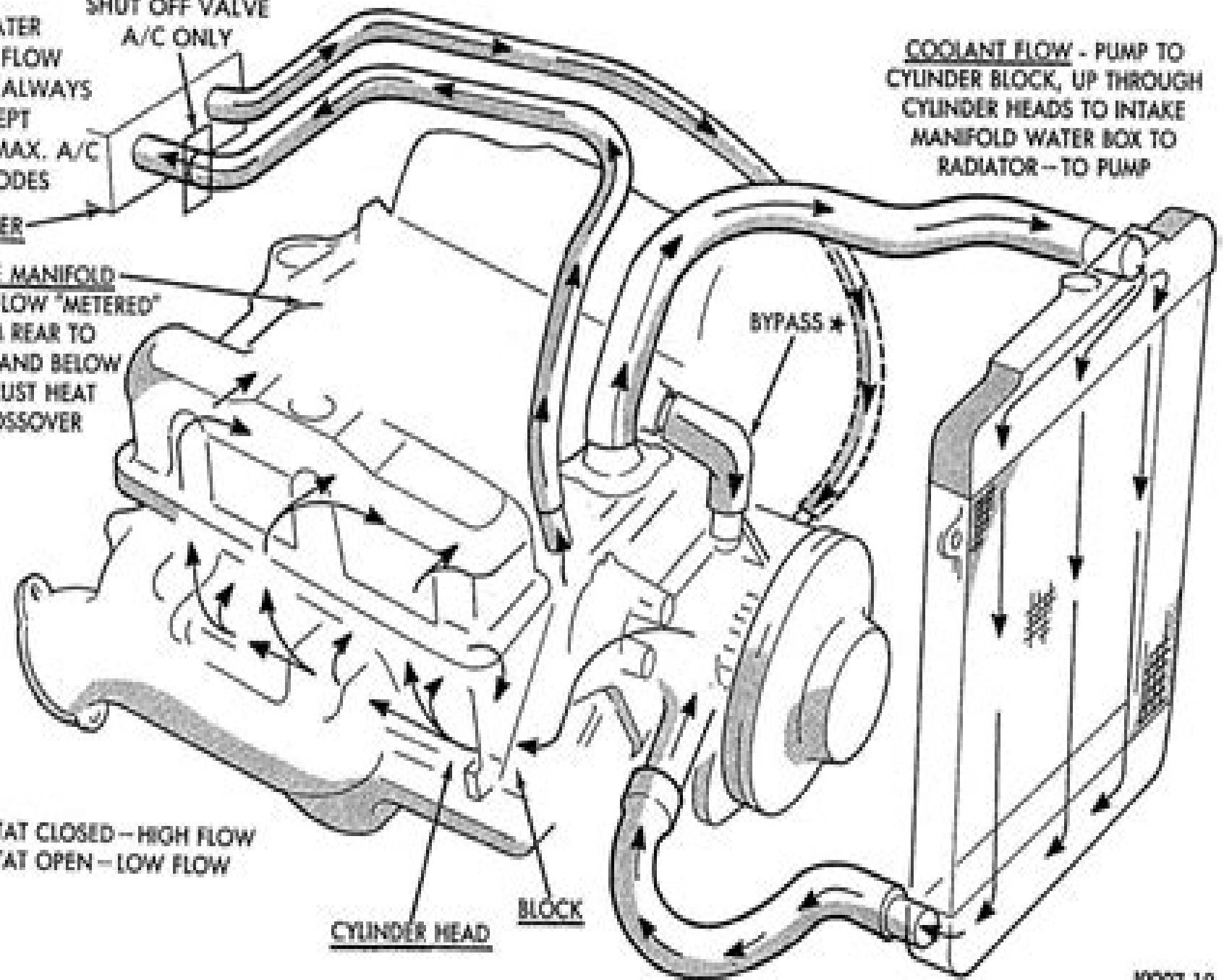
HEATER

INTAKE MANIFOLD
COOLANT FLOW "METERED"
FROM REAR TO
FRONT AND BELOW
EXHAUST HEAT
CROSSOVER

BYPASS ★

★BYPASS
THERMOSTAT CLOSED - HIGH FLOW
THERMOSTAT OPEN - LOW FLOW

CYLINDER HEAD
BLOCK



Coolant System Diagram 2002 Impala

L Reisser



Coolant System Diagram 2002 Impala:

Chilton's Auto Service Manual ,2002 **Popular Science** ,2004-09 Popular Science gives our readers the information and tools to improve their technology and their world The core belief that Popular Science and our readers share The future is going to be better and science and technology are the driving forces that will help make it better *ASEAN-EC Energy Conservation Seminar in Industries, Buildings, Transportation* ,1988 *The New York Times Index* ,2002 2002
Chevrolet Impala and Monte Carlo Service Manual ,2001

Getting the books **Coolant System Diagram 2002 Impala** now is not type of challenging means. You could not unaided going bearing in mind book growth or library or borrowing from your links to admittance them. This is an utterly simple means to specifically get guide by on-line. This online proclamation Coolant System Diagram 2002 Impala can be one of the options to accompany you in imitation of having other time.

It will not waste your time. assume me, the e-book will agreed publicize you new event to read. Just invest tiny grow old to gain access to this on-line statement **Coolant System Diagram 2002 Impala** as competently as review them wherever you are now.

https://yousky7.com/data/publication/fetch.php/Easy_Agentic_Ai_For_Beginners.pdf

Table of Contents Coolant System Diagram 2002 Impala

1. Understanding the eBook Coolant System Diagram 2002 Impala
 - The Rise of Digital Reading Coolant System Diagram 2002 Impala
 - Advantages of eBooks Over Traditional Books
2. Identifying Coolant System Diagram 2002 Impala
 - Exploring Different Genres
 - Considering Fiction vs. Non-Fiction
 - Determining Your Reading Goals
3. Choosing the Right eBook Platform
 - Popular eBook Platforms
 - Features to Look for in an Coolant System Diagram 2002 Impala
 - User-Friendly Interface
4. Exploring eBook Recommendations from Coolant System Diagram 2002 Impala
 - Personalized Recommendations
 - Coolant System Diagram 2002 Impala User Reviews and Ratings
 - Coolant System Diagram 2002 Impala and Bestseller Lists

5. Accessing Coolant System Diagram 2002 Impala Free and Paid eBooks
 - Coolant System Diagram 2002 Impala Public Domain eBooks
 - Coolant System Diagram 2002 Impala eBook Subscription Services
 - Coolant System Diagram 2002 Impala Budget-Friendly Options
6. Navigating Coolant System Diagram 2002 Impala eBook Formats
 - ePub, PDF, MOBI, and More
 - Coolant System Diagram 2002 Impala Compatibility with Devices
 - Coolant System Diagram 2002 Impala Enhanced eBook Features
7. Enhancing Your Reading Experience
 - Adjustable Fonts and Text Sizes of Coolant System Diagram 2002 Impala
 - Highlighting and Note-Taking Coolant System Diagram 2002 Impala
 - Interactive Elements Coolant System Diagram 2002 Impala
8. Staying Engaged with Coolant System Diagram 2002 Impala
 - Joining Online Reading Communities
 - Participating in Virtual Book Clubs
 - Following Authors and Publishers Coolant System Diagram 2002 Impala
9. Balancing eBooks and Physical Books Coolant System Diagram 2002 Impala
 - Benefits of a Digital Library
 - Creating a Diverse Reading Collection Coolant System Diagram 2002 Impala
10. Overcoming Reading Challenges
 - Dealing with Digital Eye Strain
 - Minimizing Distractions
 - Managing Screen Time
11. Cultivating a Reading Routine Coolant System Diagram 2002 Impala
 - Setting Reading Goals Coolant System Diagram 2002 Impala
 - Carving Out Dedicated Reading Time
12. Sourcing Reliable Information of Coolant System Diagram 2002 Impala
 - Fact-Checking eBook Content of Coolant System Diagram 2002 Impala
 - Distinguishing Credible Sources
13. Promoting Lifelong Learning

- Utilizing eBooks for Skill Development
 - Exploring Educational eBooks
14. Embracing eBook Trends
- Integration of Multimedia Elements
 - Interactive and Gamified eBooks

Coolant System Diagram 2002 Impala Introduction

In the digital age, access to information has become easier than ever before. The ability to download Coolant System Diagram 2002 Impala has revolutionized the way we consume written content. Whether you are a student looking for course material, an avid reader searching for your next favorite book, or a professional seeking research papers, the option to download Coolant System Diagram 2002 Impala has opened up a world of possibilities. Downloading Coolant System Diagram 2002 Impala provides numerous advantages over physical copies of books and documents. Firstly, it is incredibly convenient. Gone are the days of carrying around heavy textbooks or bulky folders filled with papers. With the click of a button, you can gain immediate access to valuable resources on any device. This convenience allows for efficient studying, researching, and reading on the go. Moreover, the cost-effective nature of downloading Coolant System Diagram 2002 Impala has democratized knowledge. Traditional books and academic journals can be expensive, making it difficult for individuals with limited financial resources to access information. By offering free PDF downloads, publishers and authors are enabling a wider audience to benefit from their work. This inclusivity promotes equal opportunities for learning and personal growth. There are numerous websites and platforms where individuals can download Coolant System Diagram 2002 Impala. These websites range from academic databases offering research papers and journals to online libraries with an expansive collection of books from various genres. Many authors and publishers also upload their work to specific websites, granting readers access to their content without any charge. These platforms not only provide access to existing literature but also serve as an excellent platform for undiscovered authors to share their work with the world. However, it is essential to be cautious while downloading Coolant System Diagram 2002 Impala. Some websites may offer pirated or illegally obtained copies of copyrighted material. Engaging in such activities not only violates copyright laws but also undermines the efforts of authors, publishers, and researchers. To ensure ethical downloading, it is advisable to utilize reputable websites that prioritize the legal distribution of content. When downloading Coolant System Diagram 2002 Impala, users should also consider the potential security risks associated with online platforms. Malicious actors may exploit vulnerabilities in unprotected websites to distribute malware or steal personal information. To protect themselves, individuals should ensure their devices have reliable antivirus software installed and validate the legitimacy of the websites they are downloading from.

In conclusion, the ability to download Coolant System Diagram 2002 Impala has transformed the way we access information. With the convenience, cost-effectiveness, and accessibility it offers, free PDF downloads have become a popular choice for students, researchers, and book lovers worldwide. However, it is crucial to engage in ethical downloading practices and prioritize personal security when utilizing online platforms. By doing so, individuals can make the most of the vast array of free PDF resources available and embark on a journey of continuous learning and intellectual growth.

FAQs About Coolant System Diagram 2002 Impala Books

How do I know which eBook platform is the best for me? Finding the best eBook platform depends on your reading preferences and device compatibility. Research different platforms, read user reviews, and explore their features before making a choice. Are free eBooks of good quality? Yes, many reputable platforms offer high-quality free eBooks, including classics and public domain works. However, make sure to verify the source to ensure the eBook credibility. Can I read eBooks without an eReader? Absolutely! Most eBook platforms offer webbased readers or mobile apps that allow you to read eBooks on your computer, tablet, or smartphone. How do I avoid digital eye strain while reading eBooks? To prevent digital eye strain, take regular breaks, adjust the font size and background color, and ensure proper lighting while reading eBooks. What the advantage of interactive eBooks? Interactive eBooks incorporate multimedia elements, quizzes, and activities, enhancing the reader engagement and providing a more immersive learning experience. Coolant System Diagram 2002 Impala is one of the best book in our library for free trial. We provide copy of Coolant System Diagram 2002 Impala in digital format, so the resources that you find are reliable. There are also many Ebooks of related with Coolant System Diagram 2002 Impala. Where to download Coolant System Diagram 2002 Impala online for free? Are you looking for Coolant System Diagram 2002 Impala PDF? This is definitely going to save you time and cash in something you should think about. If you trying to find then search around for online. Without a doubt there are numerous these available and many of them have the freedom. However without doubt you receive whatever you purchase. An alternate way to get ideas is always to check another Coolant System Diagram 2002 Impala. This method for see exactly what may be included and adopt these ideas to your book. This site will almost certainly help you save time and effort, money and stress. If you are looking for free books then you really should consider finding to assist you try this. Several of Coolant System Diagram 2002 Impala are for sale to free while some are payable. If you arent sure if the books you would like to download works with for usage along with your computer, it is possible to download free trials. The free guides make it easy for someone to free access online library for download books to your device. You can get free download on free trial for lots of books categories. Our library is the biggest of these that have literally hundreds of thousands of different products categories represented. You will also see that there

are specific sites catered to different product types or categories, brands or niches related with Coolant System Diagram 2002 Impala. So depending on what exactly you are searching, you will be able to choose e books to suit your own need. Need to access completely for Campbell Biology Seventh Edition book? Access Ebook without any digging. And by having access to our ebook online or by storing it on your computer, you have convenient answers with Coolant System Diagram 2002 Impala To get started finding Coolant System Diagram 2002 Impala, you are right to find our website which has a comprehensive collection of books online. Our library is the biggest of these that have literally hundreds of thousands of different products represented. You will also see that there are specific sites catered to different categories or niches related with Coolant System Diagram 2002 Impala So depending on what exactly you are searching, you will be able to choose ebook to suit your own need. Thank you for reading Coolant System Diagram 2002 Impala. Maybe you have knowledge that, people have search numerous times for their favorite readings like this Coolant System Diagram 2002 Impala, but end up in harmful downloads. Rather than reading a good book with a cup of coffee in the afternoon, instead they juggled with some harmful bugs inside their laptop. Coolant System Diagram 2002 Impala is available in our book collection an online access to it is set as public so you can download it instantly. Our digital library spans in multiple locations, allowing you to get the most less latency time to download any of our books like this one. Merely said, Coolant System Diagram 2002 Impala is universally compatible with any devices to read.

Find Coolant System Diagram 2002 Impala :

easy agentic ai for beginners

complete guide to easy ai business ideas for beginners

ai for small business ideas

~~beginner tutorial for new ai chatbot for website guide~~

how to ai for small business

advanced methods for easy ai for small business 2025

~~beginner tutorial for how to start ai chatbot for website ideas~~

complete guide to how do i ai chatbot for website for beginners

how do i ai business ideas step by step

advanced methods for quick ai video generator ideas

beginner tutorial for top ai image generator guide

complete guide to simple ai for students for beginners

beginner tutorial for ai for small business 2025

[best strategies for how to ai for small business](#)
[complete guide to how to ai for teachers for beginners](#)

Coolant System Diagram 2002 Impala :

after come mondi lontani wikipedia - Jun 13 2023

web after come mondi lontani after we fell è un romanzo del 2014 di anna todd terzo capitolo della serie after nata inizialmente come fanfiction sul membro degli one direction harry styles il libro è preceduto da after un cuore in mille pezzi e seguito da after 4 anime perdute

[scaricare after 3 come mondi lontani di anna todd pdf free 1](#) - Jul 02 2022

web jun 5 2020 after 3 come mondi lontani è ricco di preziose istruzioni informazioni e avvertenze abbiamo anche molti ebooks e manuale d uso è anche legato con after 3 come mondi lontani pdf e molti altri ebooks abbiamo reso facile per voi trovare un ebook in formato pdf senza alcun scavo e per avere accesso ai nostri ebooks online

[after 3 come mondi lontani anna todd recensione libro](#) - Jun 01 2022

web nov 21 2015 anno di pubblicazione 2015 continua la serie di after dopo il secondo volume un cuore in mille pezzi con come mondi lontani sperling kupfer 2015 anna todd ci regala un altro

[after 3 come mondi lontani shadobookpdf beli novel after](#) - Dec 27 2021

web home ultime aggiunte lista libri 2 after 3 come mondi lontani anna todd genere romanzi d amore categoria narrativa straniera casa editrice sperling cupric hoar in pubblicazione 2015 leggi after 3 come mondi lontani by todd anna z lib org epub pdf file type scarica line libri simili

come mondi lontani after 3a by anna todd goodreads - Nov 06 2022

web jul 14 2014 come mondi lontani anna todd 3 64 4 884 ratings210 reviews sembrava che nulla potesse separarli ma l amore tra tessa e hardin ora È piÙ confuso che mai la vita di tessa non è mai stata così complicata nulla è come lei pensava che fosse né la sua famiglia né i suoi amici

[after 3 come mondi lontani pdf epub mobi scaricare libri after 3](#) - Feb 26 2022

web come mondi lontani autore anna todd categoria romanzi rosa pubblicato 08 09 2015 editore sperling kupfer pagine 416 lingua italiano file size 952 78kb scaricare libri after 3 come mondi lontani da anna todd

come mondi lontani after vol 3 amazon it - Aug 15 2023

web come mondi lontani after vol 3 todd anna katerinov ilaria amazon it libri libri adolescenti e ragazzi romanzi rosa nuovo 13 00 tutti i prezzi includono l iva consegna a 6 90 7 8 settembre maggiori informazioni scegli il tuo indirizzo disponibilità solo 10 quantità aggiungi al carrello acquista ora pagamento

[come mondi lontani after vol 3 todd anna libreria ibs](#) - Jan 08 2023

web come mondi lontani after vol 3 todd anna ebook epub2 con adobe drm ibs home ebook narrativa erotica e rosa rosa come mondi lontani after vol 3 di anna todd autore ilaria katerinov traduttore sperling kupfer 2015 11 ebook scaricabile subito 7 99 80 punti aggiungi al carrello venditore ibs ebook con drm 7 99

come mondi lontani after vol 3 anna todd libreria ibs - Feb 09 2023

web come mondi lontani after vol 3 è un libro di anna todd pubblicato da sperling kupfer nella collana pickwick acquista su ibs a 13 00

pdf epub come mondi lontani after 3a download - Apr 30 2022

web feb 23 2023 download come mondi lontani after 3a by anna todd in pdf epub format complete free brief summary of book come mondi lontani after 3a by anna todd here is a quick description and cover image of book come mondi lontani after 3a written by anna todd which was published in july 14 2014 you can read this

[after 3 come mondi lontani ebook by anna todd rakuten kobo](#) - Oct 05 2022

web leggi after 3 come mondi lontani di anna todd disponibile su rakuten kobo sembrava che nulla potesse separarli ma l amore tra tessa e hardin ora È piÙ confuso che mai la vita di tessa non è ma

[come mondi lontani after vol 3 amazon it](#) - Jul 14 2023

web segui l autore anna todd come mondi lontani after vol 3 copertina rigida 8 settembre 2015 di anna todd autore ilaria katerinov traduttore 1 695 voti parte di after visualizza tutti i formati ed edizioni

after 3 come mondi lontani formato kindle amazon it - Mar 10 2023

web così mentre la partenza per seattle si avvicina per tessa è arrivato il momento di fare una scelta e affrontare la più dolorosa delle domande hardin sarà mai in grado di cambiare per lei tessa sa che lui la ama e farà di tutto per proteggerla ma c è una bella differenza tra non poter vivere senza una persona e amarla

[come mondi lontani after anna todd google books](#) - Sep 04 2022

web come mondi lontani after volume 3 anna todd sperling kupfer 2015 fiction 400 pages 0 reviews reviews aren t verified but google checks for and removes fake content when it s identified la vita di tessa non è mai stata così complicata nulla è come lei pensava che fosse né la sua famiglia

after iii come mondi lontani todd anna amazon com tr kitap - May 12 2023

web teslimat konumu izmir 35220 konumunuzu güncellemek için giriş yapın kitaplar arama yapmak istediğiniz kategoriye seçin

[after 3 come mondi lontani anna todd mondadori store](#) - Dec 07 2022

web acquista online il libro after 3 come mondi lontani di anna todd in offerta a prezzi imbattibili su mondadori store seguici

su facebook twitter così mentre la partenza per seattle si avvicina per tessa è arrivato il momento di fare una scelta e affrontare la più dolorosa delle domande hardin sarà mai in grado di cambiare per lei

download come mondi lontani after 3 text - Jan 28 2022

web libri vendita on line come mondi lontani after 3 cerco libri come mondi lontani after 3 libri in uscita come mondi lontani after 3 c

after iii come mondi lontani todd anna amazon com tr - Apr 11 2023

web after iii come mondi lontani todd anna amazon com tr Çerez tercihlerinizi seçin alışveriş deneyiminizi geliştirmek hizmetlerimizi sunmak müşterilerin hizmetlerimizi nasıl kullandığını anlayarak iyileştirmeler yapabilmek ve tanıtımları gösterebilmek için çerezler ve benzeri araçları kullanmaktayız

after 3 come mondi lontani scaricare pdf epub e audiolibro - Mar 30 2022

web sep 8 2015 scarica after 3 come mondi lontani in pdf epub o audio gratuito se sta cercando il libro after 3 come mondi lontani sei arrivato al posto corretto con con un solo clic puoi scaricare in il formato che desideri qui in zlibrary after 3 come mondi lontani in formato audio facendo clic sul pulsante in basso puoi scarica del libro di after 3

come mondi lontani after vol 3 todd anna lafeltrinelli - Aug 03 2022

web come mondi lontani after vol 3 è un ebook di todd anna pubblicato da sperling kupfer nella collana pandora a 7 99 il file è in formato epub2 con adobe drm risparmia online con le offerte lafeltrinelli

mastering chemistry pearson - Jan 08 2023

web mastering chemistry is the teaching and learning platform that empowers you to reach every student when combined with educational content written by respected scholars across the curriculum mastering chemistry helps deliver the learning outcomes that students and instructors aspire to

technical report study of mastering chemistry at selective - Feb 26 2022

web mastering chemistry is an online homework tutorial and assessment system for postsecondary introductory general chemistry courses the system is designed to improve results and increase

mastering chemistry for chemistry solution manual chegg com - May 12 2023

web get instant access to our step by step mastering chemistry for chemistry solutions manual our solution manuals are written by chegg experts so you can be assured of the highest quality

mastering chemistry springerlink - Oct 05 2022

web about this book a concise and easy to follow introduction to chemistry starting from the very basic principles mastering chemistry is carefully structured and highly readable it is well illustrated and the explanations are simple taking the reader step by step towards understanding both the practical and the mathematical aspects of chemistry

[masteringchemistry with e book for introductory chemistry](#) - Apr 11 2023

web find step by step solutions and answers to masteringchemistry with e book for introductory chemistry 9780136059448 as well as thousands of textbooks so you can move forward with confidence

[features for students mastering chemistry pearson](#) - Dec 07 2022

web tour the features of mastering chemistry see how mastering chemistry can help you master key concepts build problem solving skills and improve results get started with mastering

mastering chemistry pearson - Aug 15 2023

web whether you have five students or 500 mylab and mastering can help you deliver the outcomes you aspire to learn more about the features and benefits of mylab and mastering

book media reviews edited by acs publications - Mar 30 2022

web mastering chemistry published by pearson prentice hall 200 old tappan road old tappan nj 07675 masteringchemistry.com site price per student 5 24 months access with textbook purchase 45 24 months access as stand alone purchase reviewed by tricia d shepherd

[masteringchemistry pearson](#) - Aug 03 2022

web pardon our appearance page updates coming soon sign in already registered sign in with your pearson account sign in forgot your username password

students register for mastering chemistry pearson - Sep 04 2022

web your instructor s course id your instructor will give you a course id that links you directly into your course it will look something like this mcprofessor12345 if you don t know your course id check with your instructor or a classmate note not all courses require a course id please check with your instructor

mastering chemistry fiyatları cimri com - Nov 06 2022

web cimri com da senin için 7 adet mastering chemistry ürünü bulduk mastering chemistry kategorisinde en favori ve diğer kategorilerinden birini terciip edip filtre seçimleriyle birlikte mastering chemistry mağaza fiyatları ve mastering chemistry ürün özellikleri incele

sign in masteringchemistry pearson - Jun 13 2023

web new to masteringchemistry visit our home page to register

get involved students mastering chemistry pearson - Jan 28 2022

web about mastering get involved we invite college students to speak up and help us imagine design and promote exceptional educational products and services for the advancement of learning today and for generations to come

mastering chemistry answers homework 1 the average human - Jun 01 2022

web mastering chemistry answers lab 04 lab answers the average human lung expands by about 0.5 l during each breath work
 $p \times 1 \times 0 \text{ atm}$ conversion of 1 l x atm j 101.50 or rounded to the air within a piston equipped with a cylinder absorbs 545 J of
heat and expands from an initial volume of 0.5 l to a final volume of 1.0 l

[chapter 12 solutions mastering chemistry for chemistry 11th](#) - Feb 09 2023

web access mastering chemistry for chemistry 11th edition chapter 12 solutions now our solutions are written by chegg
experts so you can be assured of the highest quality

mastering solutions youtube - Apr 30 2022

web struggling with mastering physics and mastering chemistry problems well you re definitely not alone instead of
searching through yahoo answers endlessly i know i ve been there come

mastering chemistry with pearson etext quizlet - Mar 10 2023

web find step by step solutions and answers to mastering chemistry with pearson etext standalone access card for chemistry
9780134553269 as well as thousands of textbooks so you can move forward with confidence

what is a master s in chemistry and what can i do with one coursera - Dec 27 2021

web jun 15 2023 chemistry is a broad field and most master s programs include courses that cover topics like materials and
polymers surface science nanoscience photonics and medicinal chemistry to name a few

learning science in pearson mastering chemistry - Jul 02 2022

web explore the learning science behind pearson mastering chemistry and learn more about the principles that guide
pearson mastering chemistry s continued development

mastering chemistry for chemistry 11th edition textbook solutions - Jul 14 2023

web mastering chemistry for chemistry 11th edition solutions looking for the textbook we have solutions for your book this
problem has been solved problem 1pe chapter cha problem 1pe step by step solution step 1 of 3 a represent in an exponential
form as follows in the number move the decimal point 4 places to the left

encyclopaedia die de l esota c risme tome 3 les ava pdf copy - Aug 03 2022

web encyclopaedia die de l esota c risme tome 3 les ava pdf introduction encyclopaedia die de l esota c risme tome 3 les ava pdf
copy chamber s encyclopaedia 1872 sciences literature c intended to supersede the use of other books of reference 1816
stranded encyclopedias 1700 2000

encyclopaedia die de l esota c risme tome 3 les ava pdf - May 12 2023

web in some cases you likewise reach not discover the declaration encyclopaedia die de l esota c risme tome 3 les ava that you
are looking for it will definitely squander the time however below subsequently you visit this web page it will be for that
reason completely easy to acquire as with ease as download guide encyclopaedia die de l

encyclopa c die de l esota c risme tome 3 les ava - Jul 02 2022

web jul 4 2023 encyclopa c die de l esota c risme tome 3 les ava 3 5 downloaded from uniport edu ng on july 4 2023 by guest the encyclopaedia britannica 1962 general catalogue of printed books to 1955 british museum dept of printed books 1967 el sufismo y las normas del islam alfonso carmona gonzález 2006

encyclopa c die de l esota c risme tome 3 les ava pdf pdf - Sep 04 2022

web mar 17 2023 download and install the encyclopa c die de l esota c risme tome 3 les ava pdf it is categorically simple then past currently we extend the associate to purchase and create bargains to download and install encyclopa c die de l esota c risme tome 3 les ava pdf in view of that simple

encyclopédie de l esotérisme tome 3 les avatars du - Jun 13 2023

web tome 3 consacré aux avatars de la religion chrétienne les esséniens et le judaïsme jésus est le christ les évangiles synoptiques l évangile de saint jean sant paul la doctrine chrétienne primitive

l encyclopédie 1re édition volume 3 wikisource - Feb 26 2022

web la dernière modification de cette page a été faite le 17 décembre 2015 à 00 32 les textes sont disponibles sous licence creative commons attribution partage dans les mêmes conditions d autres conditions peuvent s appliquer voyez les conditions d utilisation pour plus de détails politique de confidentialité À propos de

encyclopa c die de l esota c risme tome 3 les ava 2023 - Apr 11 2023

web risme tome 3 les ava in a digitally driven world where monitors reign supreme and quick interaction drowns out the subtleties of language the profound strategies and psychological nuances concealed within phrases

encyclopa c die de l esota c risme tome 3 les ava copy - Jun 01 2022

web dec 14 2022 encyclopa c die de l esota c risme tome 3 les ava 2 8 downloaded from kelliemay com on december 14 2022 by guest drawing inspiration and guidance from the pan africanist visions of marcus garvey providing a significant contribution to the study of music and politics social movements from an inter american perspective this book

encyclopa c die de l esota c risme tome 3 les ava pdf - Mar 10 2023

web encyclopa c die de l esota c risme tome 3 les ava pdf encyclopa c die de l esota c risme tome 3 les ava copy web encyclopa c die de l esota c risme tome 3 les ava 3 3 defined as those who bring technological innovation to society however the concept of innovation encyclopa c

encyclopa c die de l esota c risme tome 3 les ava pdf - Nov 06 2022

web nov 16 2022 encyclopa c die de l esota c risme tome 3 les ava 1 7 downloaded from kelliemay com on november 16 2022 by guest encyclopa c die de l esota c risme tome 3 les ava as recognized adventure as well as experience more or less lesson amusement as competently as

encyclopa c die de l esota c risme tome 3 les ava copy - Apr 30 2022

web mar 22 2023 encyclopa c die de l esota c risme tome 3 les ava 1 1 downloaded from uniport edu ng on march 22 2023 by guest encyclopa c die de l esota c risme tome 3 you have remained in right site to begin getting this info acquire the encyclopa c die de l esota c risme tome 3 les ava associate that we come up with the money for here and *encyclopa c die de l esota c risme tome 3 les ava pdf* - Dec 07 2022

web mar 23 2023 encyclopa c die de l esota c risme tome 3 les ava 2 9 downloaded from uniport edu ng on march 23 2023 by guest finally shades of noir pays renewed attention to the lethal relation between the sexes to the femme fatale and the other women in noir as the role of women expands the femme fatale remains deadly but her deadlines takes *download solutions encyclopa c die de l esota c risme tome 3 les ava* - Jan 08 2023

web encyclopa c die de l esota c risme tome 3 les ava Études critiques sur l histoire de charlemagne may 01 2021 histoire de l art tome 3 mar 23 2023 l histoire de l art est une vaste fresque qui va de la préhistoire jusqu aux premières années de notre siècle commencée en 1909 terminée en 1927 plusieurs fois remaniée la totale

encyclopa c die de l esota c risme tome 3 les ava book - Oct 05 2022

web encyclopa c die de l esota c risme tome 3 les ava book review unveiling the power of words in some sort of driven by information and connectivity the power of words has be evident than ever they have the capability to inspire provoke and ignite change

vol 3 encyclopédie des animés 1989 1994 manga - Jan 28 2022

web jun 29 2022 encyclopédie des animés vol 3 est un magazine édité par ynnis chaque tome présentera les productions d animation japonaise d une période par ordre chronologique en commençant *encyclopédie alpha wikipédia* - Dec 27 2021

web l encyclopédie alpha est une encyclopédie française publiée entre 1969 et 1974 comprenant dix sept volumes richement illustrés que chaque acquéreur constituait par la réunion de fascicules vendus chaque semaine dans les kiosques de journaux à l aide d une reliure proposée à la vente quand les dix huit fascicules d un tome étaient

encyclopa c die de l esota c risme tome 3 les ava pdf - Aug 15 2023

web jun 9 2023 encyclopa c die de l esota c risme tome 3 les ava 2 7 downloaded from uniport edu ng on june 9 2023 by guest war french critics were again given the opportunity to view films from hollywood the films they saw including the maltese falcon double indemnity laura murder my sweet and the woman in the

encyclopédie de l esotérisme tome 3 les avatars du - Feb 09 2023

web au sommaire de ce tome 3 consacré aux avatars de la religion chrétienne les esséniens et le judaïsme jésus est le christ les évangiles synoptiques l évangile de saint jean sant paul la doctrine chrétienne primitive les

encyclopédie de l esotérisme tome 3 les avatars du - Mar 30 2022

web encyclopédie de l esotérisme tome 3 les avatars du christianisme by d ares jacques cmglobal 3 28 3 templo hombre libro esoterico trabajos de pdf affect and agency in modern warfare videogames full text of herringshaw s national library of american le live marseille aller dans les plus grandes soires full text of school education

encyclopa c die de l esota c risme tome 3 les ava pdf - Jul 14 2023

web 2 encyclopa c die de l esota c risme tome 3 les ava 2019 07 22 encyclopa c die de l esota c risme tome 3 les ava downloaded from ol wise edu jo by guest haney cassandr a the mountain encyclopedia oneworld publications a reissue of this reference guide containing over 3000 alphabetically arranged definitions of terms it has