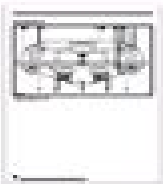




22



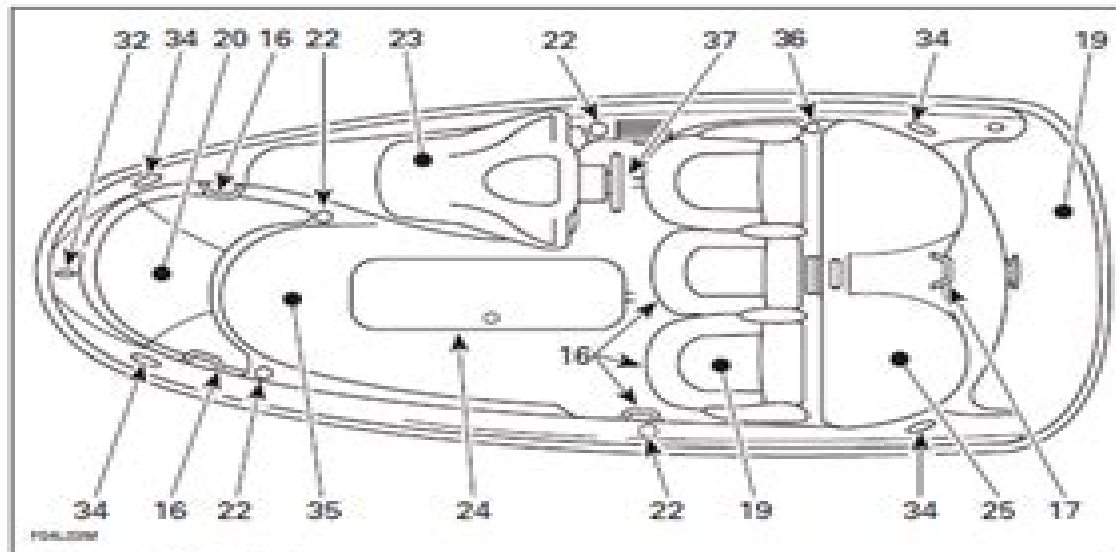
23



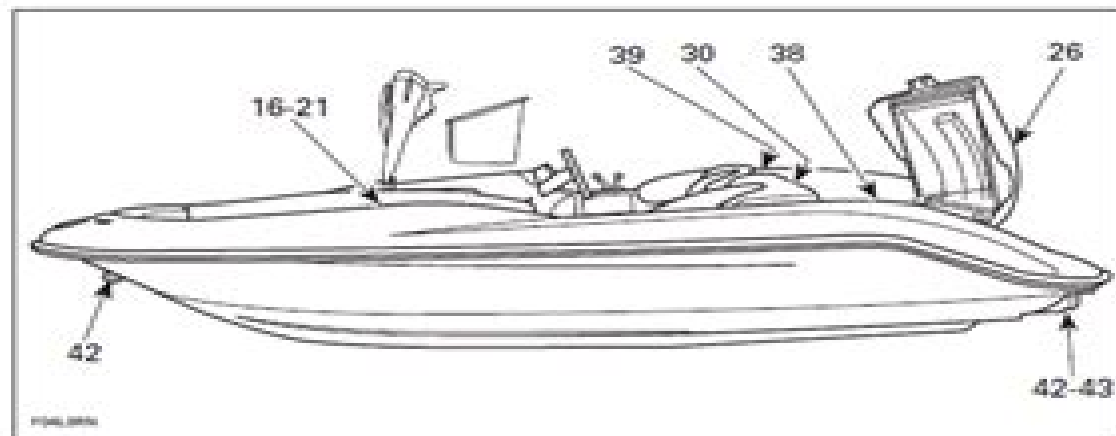
24



25



TYPICAL — TOP VIEW



TYPICAL — SIDE VIEW

Challenger 1800 User Manual

CH Cherryholmes



Challenger 1800 User Manual:

Right here, we have countless book **Challenger 1800 User Manual** and collections to check out. We additionally have enough money variant types and after that type of the books to browse. The pleasing book, fiction, history, novel, scientific research, as well as various further sorts of books are readily comprehensible here.

As this Challenger 1800 User Manual, it ends up innate one of the favored ebook Challenger 1800 User Manual collections that we have. This is why you remain in the best website to look the unbelievable book to have.

<https://yousky7.com/results/Resources/index.jsp/Ducati%20900%20900ss%20Supersport%202001%20Service%20Repair%20Manual.pdf>

Table of Contents Challenger 1800 User Manual

1. Understanding the eBook Challenger 1800 User Manual
 - The Rise of Digital Reading Challenger 1800 User Manual
 - Advantages of eBooks Over Traditional Books
2. Identifying Challenger 1800 User Manual
 - Exploring Different Genres
 - Considering Fiction vs. Non-Fiction
 - Determining Your Reading Goals
3. Choosing the Right eBook Platform
 - Popular eBook Platforms
 - Features to Look for in an Challenger 1800 User Manual
 - User-Friendly Interface
4. Exploring eBook Recommendations from Challenger 1800 User Manual
 - Personalized Recommendations
 - Challenger 1800 User Manual User Reviews and Ratings
 - Challenger 1800 User Manual and Bestseller Lists
5. Accessing Challenger 1800 User Manual Free and Paid eBooks

- Challenger 1800 User Manual Public Domain eBooks
 - Challenger 1800 User Manual eBook Subscription Services
 - Challenger 1800 User Manual Budget-Friendly Options
6. Navigating Challenger 1800 User Manual eBook Formats
 - ePub, PDF, MOBI, and More
 - Challenger 1800 User Manual Compatibility with Devices
 - Challenger 1800 User Manual Enhanced eBook Features
 7. Enhancing Your Reading Experience
 - Adjustable Fonts and Text Sizes of Challenger 1800 User Manual
 - Highlighting and Note-Taking Challenger 1800 User Manual
 - Interactive Elements Challenger 1800 User Manual
 8. Staying Engaged with Challenger 1800 User Manual
 - Joining Online Reading Communities
 - Participating in Virtual Book Clubs
 - Following Authors and Publishers Challenger 1800 User Manual
 9. Balancing eBooks and Physical Books Challenger 1800 User Manual
 - Benefits of a Digital Library
 - Creating a Diverse Reading Collection Challenger 1800 User Manual
 10. Overcoming Reading Challenges
 - Dealing with Digital Eye Strain
 - Minimizing Distractions
 - Managing Screen Time
 11. Cultivating a Reading Routine Challenger 1800 User Manual
 - Setting Reading Goals Challenger 1800 User Manual
 - Carving Out Dedicated Reading Time
 12. Sourcing Reliable Information of Challenger 1800 User Manual
 - Fact-Checking eBook Content of Challenger 1800 User Manual
 - Distinguishing Credible Sources
 13. Promoting Lifelong Learning
 - Utilizing eBooks for Skill Development

- Exploring Educational eBooks
14. Embracing eBook Trends
- Integration of Multimedia Elements
 - Interactive and Gamified eBooks

Challenger 1800 User Manual Introduction

In the digital age, access to information has become easier than ever before. The ability to download Challenger 1800 User Manual has revolutionized the way we consume written content. Whether you are a student looking for course material, an avid reader searching for your next favorite book, or a professional seeking research papers, the option to download Challenger 1800 User Manual has opened up a world of possibilities. Downloading Challenger 1800 User Manual provides numerous advantages over physical copies of books and documents. Firstly, it is incredibly convenient. Gone are the days of carrying around heavy textbooks or bulky folders filled with papers. With the click of a button, you can gain immediate access to valuable resources on any device. This convenience allows for efficient studying, researching, and reading on the go. Moreover, the cost-effective nature of downloading Challenger 1800 User Manual has democratized knowledge. Traditional books and academic journals can be expensive, making it difficult for individuals with limited financial resources to access information. By offering free PDF downloads, publishers and authors are enabling a wider audience to benefit from their work. This inclusivity promotes equal opportunities for learning and personal growth. There are numerous websites and platforms where individuals can download Challenger 1800 User Manual. These websites range from academic databases offering research papers and journals to online libraries with an expansive collection of books from various genres. Many authors and publishers also upload their work to specific websites, granting readers access to their content without any charge. These platforms not only provide access to existing literature but also serve as an excellent platform for undiscovered authors to share their work with the world. However, it is essential to be cautious while downloading Challenger 1800 User Manual. Some websites may offer pirated or illegally obtained copies of copyrighted material. Engaging in such activities not only violates copyright laws but also undermines the efforts of authors, publishers, and researchers. To ensure ethical downloading, it is advisable to utilize reputable websites that prioritize the legal distribution of content. When downloading Challenger 1800 User Manual, users should also consider the potential security risks associated with online platforms. Malicious actors may exploit vulnerabilities in unprotected websites to distribute malware or steal personal information. To protect themselves, individuals should ensure their devices have reliable antivirus software installed and validate the legitimacy of the websites they are downloading from. In conclusion, the ability to download Challenger 1800 User Manual has transformed the way we access information. With the convenience, cost-effectiveness, and

accessibility it offers, free PDF downloads have become a popular choice for students, researchers, and book lovers worldwide. However, it is crucial to engage in ethical downloading practices and prioritize personal security when utilizing online platforms. By doing so, individuals can make the most of the vast array of free PDF resources available and embark on a journey of continuous learning and intellectual growth.

FAQs About Challenger 1800 User Manual Books

How do I know which eBook platform is the best for me? Finding the best eBook platform depends on your reading preferences and device compatibility. Research different platforms, read user reviews, and explore their features before making a choice. Are free eBooks of good quality? Yes, many reputable platforms offer high-quality free eBooks, including classics and public domain works. However, make sure to verify the source to ensure the eBook credibility. Can I read eBooks without an eReader? Absolutely! Most eBook platforms offer webbased readers or mobile apps that allow you to read eBooks on your computer, tablet, or smartphone. How do I avoid digital eye strain while reading eBooks? To prevent digital eye strain, take regular breaks, adjust the font size and background color, and ensure proper lighting while reading eBooks. What the advantage of interactive eBooks? Interactive eBooks incorporate multimedia elements, quizzes, and activities, enhancing the reader engagement and providing a more immersive learning experience. Challenger 1800 User Manual is one of the best book in our library for free trial. We provide copy of Challenger 1800 User Manual in digital format, so the resources that you find are reliable. There are also many Ebooks of related with Challenger 1800 User Manual. Where to download Challenger 1800 User Manual online for free? Are you looking for Challenger 1800 User Manual PDF? This is definitely going to save you time and cash in something you should think about. If you trying to find then search around for online. Without a doubt there are numerous these available and many of them have the freedom. However without doubt you receive whatever you purchase. An alternate way to get ideas is always to check another Challenger 1800 User Manual. This method for see exactly what may be included and adopt these ideas to your book. This site will almost certainly help you save time and effort, money and stress. If you are looking for free books then you really should consider finding to assist you try this. Several of Challenger 1800 User Manual are for sale to free while some are payable. If you arent sure if the books you would like to download works with for usage along with your computer, it is possible to download free trials. The free guides make it easy for someone to free access online library for download books to your device. You can get free download on free trial for lots of books categories. Our library is the biggest of these that have literally hundreds of thousands of different products categories represented. You will also see that there are specific sites catered to different product types or categories, brands or niches related with Challenger 1800 User Manual. So depending on what exactly you are searching,

you will be able to choose e books to suit your own need. Need to access completely for Campbell Biology Seventh Edition book? Access Ebook without any digging. And by having access to our ebook online or by storing it on your computer, you have convenient answers with Challenger 1800 User Manual To get started finding Challenger 1800 User Manual, you are right to find our website which has a comprehensive collection of books online. Our library is the biggest of these that have literally hundreds of thousands of different products represented. You will also see that there are specific sites catered to different categories or niches related with Challenger 1800 User Manual So depending on what exactly you are searching, you will be able to choose ebook to suit your own need. Thank you for reading Challenger 1800 User Manual. Maybe you have knowledge that, people have search numerous times for their favorite readings like this Challenger 1800 User Manual, but end up in harmful downloads. Rather than reading a good book with a cup of coffee in the afternoon, instead they juggled with some harmful bugs inside their laptop. Challenger 1800 User Manual is available in our book collection an online access to it is set as public so you can download it instantly. Our digital library spans in multiple locations, allowing you to get the most less latency time to download any of our books like this one. Merely said, Challenger 1800 User Manual is universally compatible with any devices to read.

Find Challenger 1800 User Manual :

[ducati 900 900ss supersport 2001 service repair manual](#)

[duramax repair manual 2015](#)

[du seacutenat au seacutenat le conseil de la reacutepublique](#)

[ducati 749 workshopmanual](#)

[ducati monster 696 service repair manual](#)

[dymo letratag manual](#)

[dust shaker poems and prayers for rcl year b](#)

[dual voice coil wiring 2 ohm](#)

duck hunting guide micah floyd

[duo interdits seacutelection bourgeoise](#)

[ducati 900 ss shop manual](#)

[ducati 848 2015 service manual](#)

ducati 250 mark 3 desmo 1967 1970 repair service manual

[dw10uted4 workshop manual](#)

dune buggy building manual

Challenger 1800 User Manual :

Saxon Math Grade 2 Saxon's Math 2 teaches students about larger numbers, geometric shapes, Venn diagrams, graphs, basic calculations, simple fractions and more. Saxon Math 2 Homeschool Kit (1st edition) Saxon Math 2 Homeschool Kit (1st edition) ; SKU. S-2M06 ; Age Range: 7-9 ; Grade Range: 2-4 ; 100% MONEY-BACK GUARANTEE. Take up to one year to use your curriculum. 2nd Grade Saxon Math Student Workbooks & Fact Cards Set 1st Grade Saxon Math Workbook & Materials, 2nd Edition. \$107.47 \$80.60. Saxon is the nation's most comprehensive and most thoroughly researched math ... 2nd Grade Saxon Math Package First edition. ... Complete set of manipulatives for Saxon Math 2 through 3. ... Kit includes teacher's manual, student workbooks and meeting book and math facts ... Saxon Math 2 Program Saxon Math 2 Program ; SKU. S-2MS ; Age Range: 7-9 ; Grade Range: 2 ; 100% MONEY-BACK GUARANTEE. Take up to one year to use your curriculum. If you don't love it, ... Saxon Math 2 Home Study Kit The 132 lessons cover skip counting; comparing numbers; solving problems; mastering all basic addition and subtraction facts; mastering multiplication to 5; ... Saxon Math, Grade 2, Part 1: Student Workbook Saxon Math, Grade 2, Part 1: Student Workbook ; Paperback, 432 pages ; ISBN-10, 1600325742 ; ISBN-13, 978-1600325748 ; Reading age, 7 - 8 years ; Grade level, 2 ... Saxon Math 1st Grade Saxon Math Workbook & Materials, 2nd Edition ... Saxon is the nation's most comprehensive and most thoroughly researched math program, with more ... Saxon Math 2: An Incremental Development Part 1 & ... Saxon Math 2 is made up of five instructional components: The Meeting, Number Fact Practice, The Lesson, Guided Class Practice and Homework, and Assessments. Free call center policy and procedures template for 2023 May 22, 2021 — Here's a free downloadable call center policy and procedures template that you can customize to suit your call center's needs. Essential Call Center Policies And Procedures Top 10 Call Center Policies You Must Implement · 1. Non-Disclosure Agreement (NDA) · 2. Social Media Engagement Policy · 3. Background Checks on Employees · 4. Call Center Policy & Procedure The Call Center hours are from 7:00 am to 5:00 pm Monday-Friday. The Data Center Operations staff answers the Call Center phone after normal business hours. Call Center Policy and Procedure Manual- Feb 3, 2020 — CALL CENTER POLICY MANUAL. TABLE OF CONTENTS. I. Non-Clinical Staff ... Ensure policy and procedure manuals are current and followed by staff. Call center standard operating procedures and best practices Jul 27, 2023 — Call center Standard Operating Procedures (SOP) are a set of instructions that a workplace puts into practice. This set helps employees and ... Call Centre Standard Operating Procedures Jan 23, 2023 — 1. The call gets routed to an Agent. · 2. The call will be answered within 3 rings. · 3. The Agent will greet, identify himself/herself and ask ... Standard Operating Procedures for Call Centers SOPs define everything from staffing schedules to handling workload and call load forecasting to specifying how calls should be reviewed. Call Center Compliance Call center training manual examples may contain information about what procedures to follow for inbound calls or outbound calls. Comprehensive

training and ... Why Are Call Center Standard Operating Procedures ... Your standard operating procedures will cover areas like staffing, best practices for time management, setting clear KPIs, and staying compliant. Call Center Floor Rules And Etiquettes For Best Management Always give value to your customer. The call center always tries to get maximum customer satisfaction. Agents must follow all the call center floor rules ... Frindle: Summary, Characters & Vocabulary Dec 21, 2021 — Frindle is the story of Nick Allen and his desire to show his teacher Mrs. Granger that words can come from anywhere. Even though Nick is known ... Frindle Summary and Study Guide The novel explores themes about differing adult and student perspectives, actions and their consequences, and the power of language. Clements draws inspiration ... Frindle Chapter 1 Summary When Nick was in third grade, he decided to turn his classroom into a tropical island paradise. First, he asked all of his classmates to make paper palm trees ... Frindle Chapter 1: Nick Summary & Analysis Dec 6, 2018 — Here, he uses Miss Deaver's status as a first-year teacher to trick her into giving her students way more power than the school wants them to ... Frindle - Chapter Summaries - Jackson Local Schools Jackson Memorial Middle School · Raddish, Katie · Frindle - Chapter Summaries. <http://www.enotes.com/topics/> ... Frindle Summary & Study Guide A man in Westfield, Bud Lawrence, sees an opportunity and begins making pens with the word frindle on them. Though local demand dwindles quickly, national and ... Frindle Summary - eNotes.com Sep 12, 2022 — The first chapter of Frindle describes Nick Allen's first acts of creative rebellion. Chapter One tells how he transformed Mrs. Deaver's third- ... Frindle Chapters 1-3 Summary & Analysis In fourth grade, Nick learns that red-wing blackbirds evade their predators by making a chirping sound that is difficult to locate. Nick experiments during ... Frindle Summary Sep 3, 2023 — Nick Allen is a basically good kid with an exceptional imagination. · The following day, Nick raises his hand to tell Mrs Granger that he has ... Frindle Book Summary - Written By Andrew Clements - YouTube